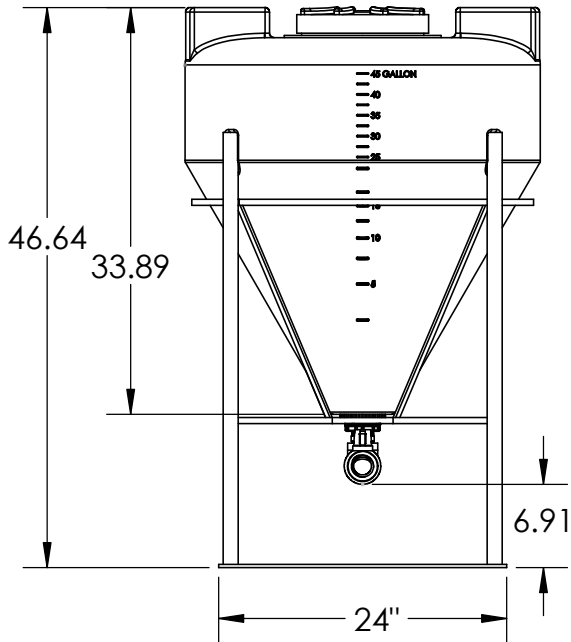
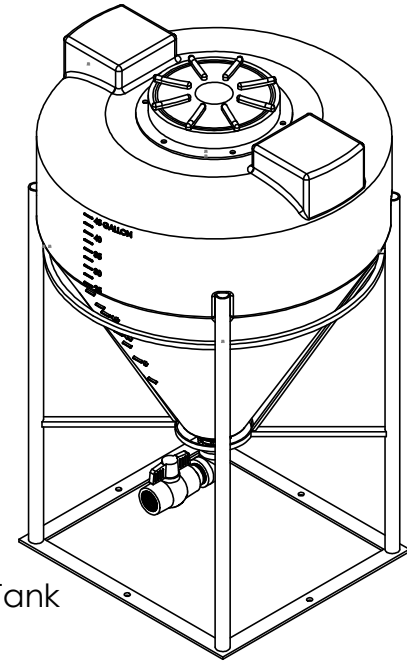
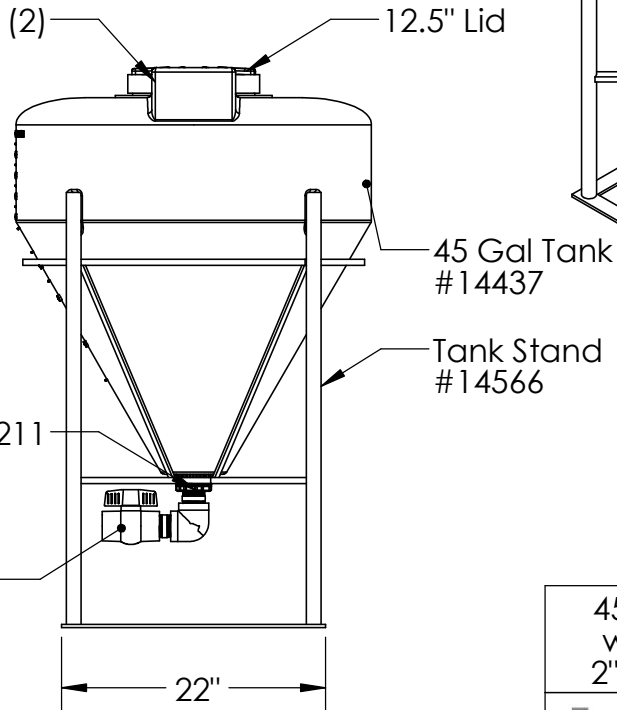


Mixer Mount (2) 12.5" Lid



2" Bulkhead Fitting #970211

2" Valve Kit #16208



45 Gal Tank #14437

Tank Stand #14566

45 Gallon Cone Bottom Tank with Mixer Mounts, 12.5" Lid, 2" Fitting, 2" Valve Kit & Stand



1390 Neubrecht Road
Lima, Ohio 45801

STOCK NO. **16218** REV **A**
DO NOT SCALE DRAWING WEIGHT: 10.1lbs.

DIMENSIONS ARE IN INCHES TOLERANCE: ± 1/4"		NAME	DATE
MATERIAL LLDPE - FDA resin		DRAWN	NJV 6/23/23
CAPACITY 45 Gallon		APPROVED	
GRADUATIONS 2.5 Gallon		REVISIONS	
NOMINAL WALL THICKNESS 3/16"		COMMENTS: UV Stabilized Translucent	

PROPRIETARY AND CONFIDENTIAL
THE INFORMATION CONTAINED IN THIS DRAWING IS THE SOLE PROPERTY OF TAMCO. ANY REPRODUCTION IN PART OR AS A WHOLE WITHOUT THE WRITTEN PERMISSION OF TAMCO IS PROHIBITED.

MAX. OPERATING TEMP. 140°F
INTERMITTENT SERVICE TO 160°F
SEE CHEMICAL RESISTANCE CHART FOR COMPATIBILITY