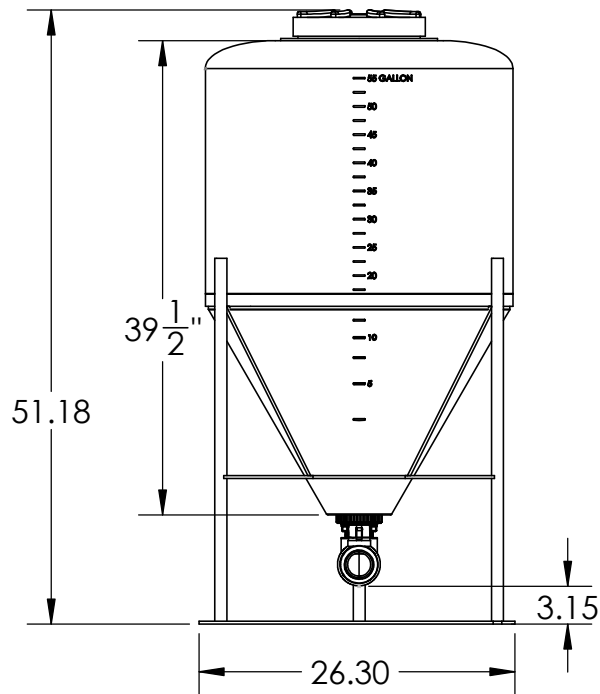
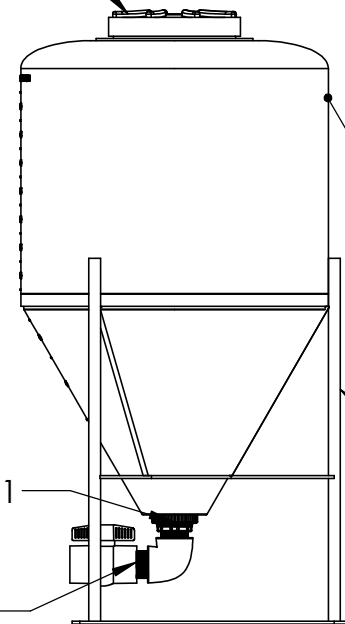


Ø 25 ⁵/₈"



12.5" Lid
#970185

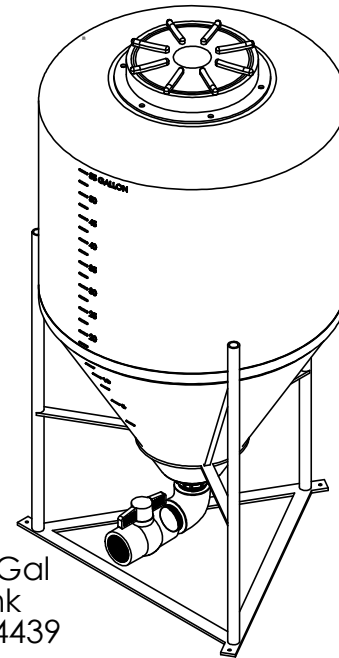


2" Bulkhead
Fitting #970211

2" Valve Kit
#16208

55 Gal
Tank
#14439

Tank Stand
#14475



55 Gallon Dome Top Cone
Bottom Tank with 12.5" Lid,
2" Fitting, 2" Valve Kit & Stand



1390 Neubrecht Road
Lima, Ohio 45801

STOCK NO.
16220

REV
A

DO NOT SCALE DRAWING

WEIGHT: 10.1lbs.

| | | | |
|---|--|---|-------------|
| DIMENSIONS ARE IN INCHES TOLERANCE: ± 1/4" | | NAME | DATE |
| MATERIAL LLDPE - FDA resin | | DRAWN | NJV 6/23/23 |
| CAPACITY 55 Gallon | | APPROVED | |
| GRADUATIONS 2.5 Gallon | | REVISIONS | |
| NOMINAL WALL THICKNESS 3/16" | | COMMENTS: UV Stabilized Translucent | |

PROPRIETARY AND CONFIDENTIAL
THE INFORMATION CONTAINED IN THIS
DRAWING IS THE SOLE PROPERTY OF
TAMCO. ANY REPRODUCTION IN PART
OR AS A WHOLE WITHOUT THE WRITTEN
PERMISSION OF TAMCO IS PROHIBITED.

MAX. OPERATING TEMP. 140°F
INTERMITTENT SERVICE TO 160°F
SEE CHEMICAL RESISTANCE
CHART FOR COMPATABILITY