

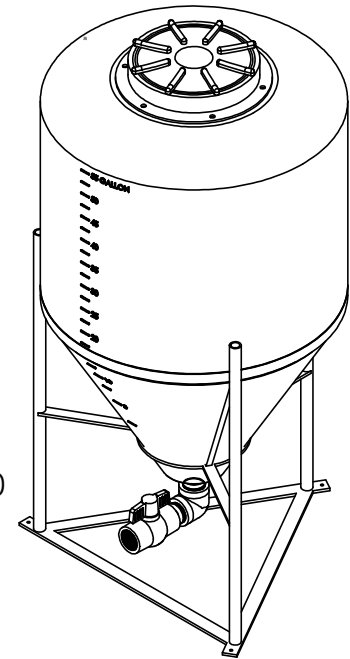
12.5" Lid
#970185

55 Gal
Tank
#14440

Tank Stand
#14475

1.5" Bossweld
Fitting #970177

1.5" Valve Kit
#16207



55 Gallon Dome Top Cone
Bottom Tank with 12.5" Lid,
1.5" Fitting, 1.5" Valve Kit & Stand



1390 Neubrecht Road
Lima, Ohio 45801

STOCK NO.

16221

REV
A

DO NOT SCALE DRAWING

WEIGHT: 10.1lbs.

DIMENSIONS ARE IN INCHES
TOLERANCE: ± 1/4"

MATERIAL
LLDPE - FDA resin

CAPACITY
55 Gallon

GRADUATIONS
2.5 Gallon

NOMINAL WALL THICKNESS
3/16"

DRAWN
APPROVED
REVISIONS
COMMENTS:

NAME
NJV

DATE
6/23/23

UV Stabilized
Translucent
Full Drain

PROPRIETARY AND CONFIDENTIAL

THE INFORMATION CONTAINED IN THIS
DRAWING IS THE SOLE PROPERTY OF
TAMCO. ANY REPRODUCTION IN PART
OR AS A WHOLE WITHOUT THE WRITTEN
PERMISSION OF TAMCO IS PROHIBITED.

MAX. OPERATING TEMP. 140°F
INTERMITTENT SERVICE TO 160°F
SEE CHEMICAL RESISTANCE
CHART FOR COMPATIBILITY