

Ø 29 1/2"

Catalog options: Tank Stand #8695
2" FPT Boss Fitting welded to bottom of tank

1st Gal Mark = 25 Gal
last Gal Mark = 75 Gal

12.5" Threaded
Lid #970185

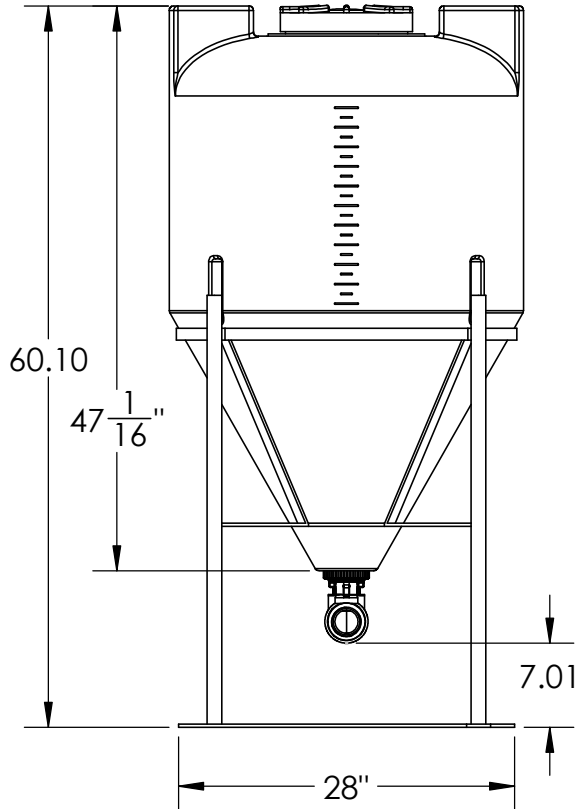
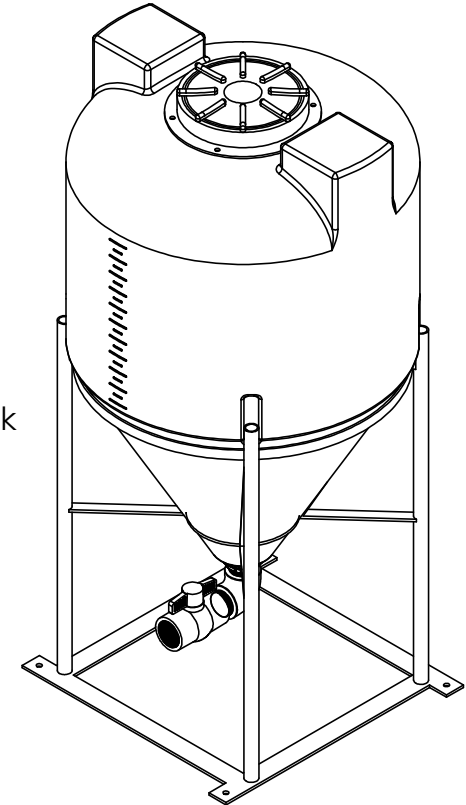
Mixer Mount
(2)

75 Gal Tank
#8686

Tank Stand
#8695

2" Bulkhead
Fitting
#970211

2" Valve Kit
#16208



28"

DIMENSIONS ARE IN INCHES TOLERANCE: ± 1/4"		NAME	DATE
MATERIAL LLDPE - FDA resin		DRAWN	NJV 6/23/23
CAPACITY 75 US gal.		APPROVED	
GRADUATIONS 2.5 Gal per mark		COMMENTS: Translucent UV Stabilized	
NOMINAL WALL THICKNESS 3/16"			

Polyethylene 60° Cone Bottom
Graduated Tank with 2" Valve Kit,
2" Fitting, 12.5" Lid & Stand



1390 Neubrecht Road
Lima, Ohio 45801

STOCK NO.	REV
16229	A
DO NOT SCALE DRAWING	WEIGHT: 37 lbs.

PROPRIETARY AND CONFIDENTIAL

THE INFORMATION CONTAINED IN THIS
DRAWING IS THE SOLE PROPERTY OF
TAMCO. ANY REPRODUCTION IN PART
OR AS A WHOLE WITHOUT THE WRITTEN
PERMISSION OF TAMCO IS PROHIBITED.

MAX. OPERATING TEMP. 140°F
INTERMITTENT SERVICE TO 160°F
SEE CHEMICAL RESISTANCE
CHART FOR COMPATIBILITY