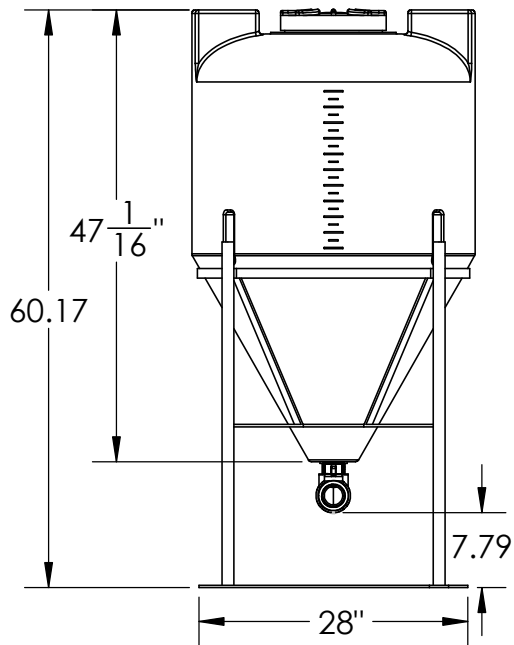


Catalog options: Tank Stand #8695
2" FPT Bulkhead Fitting welded to bottom of tank

1st Gal Mark = 25 Gal
last Gal Mark = 75 Gal



12.5" Threaded Lid #970185

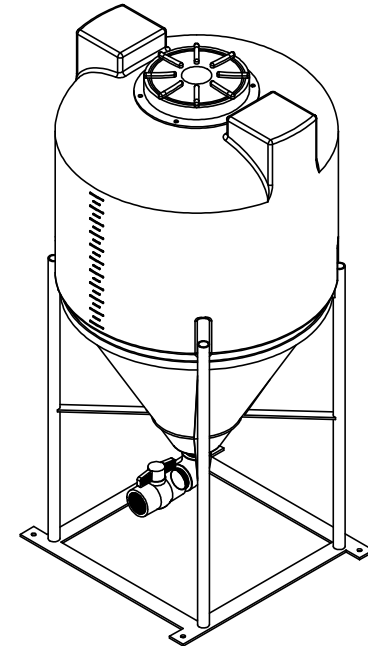
Mixer Mount (2)

75 Gal Tank #16203

2" Bossweld Fittings #970231

Tank Stand #8695

2" Valve Kit #16208



Polyethylene 60° Cone Bottom Graduated Tank with 2" Valve Kit, 2" Fitting, 12.5" Lid & Stand



STOCK NO.	16230	REV	A
DO NOT SCALE DRAWING		WEIGHT: 37 lbs.	

DIMENSIONS ARE IN INCHES TOLERANCE: ± 1/4"			
MATERIAL	LLDPE - FDA resin	DRAWN	NJV
CAPACITY	75 US gal.	APPROVED	
GRADUATIONS	2.5 Gal per mark	COMMENTS: Translucent UV Stabilized	
NOMINAL WALL THICKNESS	3/16"		

PROPRIETARY AND CONFIDENTIAL
THE INFORMATION CONTAINED IN THIS DRAWING IS THE SOLE PROPERTY OF TAMCO. ANY REPRODUCTION IN PART OR AS A WHOLE WITHOUT THE WRITTEN PERMISSION OF TAMCO IS PROHIBITED.

MAX. OPERATING TEMP. 140°F
INTERMITTENT SERVICE TO 160°F
SEE CHEMICAL RESISTANCE CHART FOR COMPATIBILITY