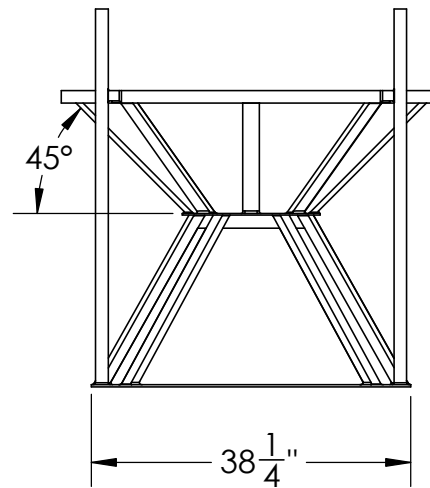
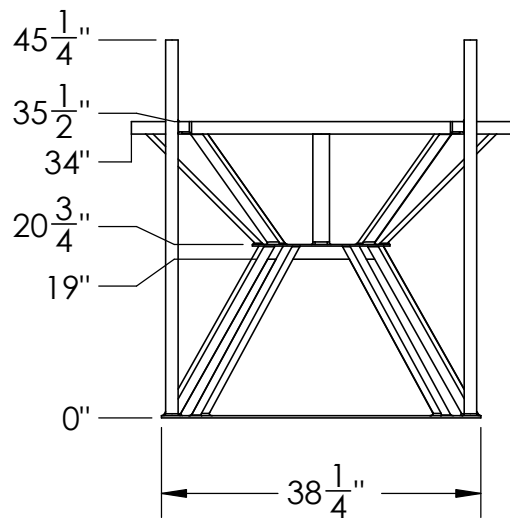


1/2" Dia hole centered on flat



Cone Bottom Tank Stand  
#16376



1390 Neubrecht Road  
Lima, Ohio 45801

STOCK NO.  
**#16376**

REV  
**A**

DO NOT SCALE DRAWING

WEIGHT: 213 lbs.

DIMENSIONS ARE IN INCHES TOLERANCE: $\pm 1/4$ "		NAME	DATE
MATERIAL	Steel	DRAWN	JMP 02/10/21
CAPACITY	N/A	APPROVED	
GRADUATIONS	N/A	REVISIONS	
NOMINAL WALL THICKNESS	Variable	COMMENTS:	Blue Powder Coated

**PROPRIETARY AND CONFIDENTIAL**

THE INFORMATION CONTAINED IN THIS DRAWING IS THE SOLE PROPERTY OF TAMCO. ANY REPRODUCTION IN PART OR AS A WHOLE WITHOUT THE WRITTEN PERMISSION OF TAMCO IS PROHIBITED.

MAX. OPERATING TEMP. 140°F  
INTERMITTENT SERVICE TO 160°F  
SEE CHEMICAL RESISTANCE  
CHART FOR COMPATIBILITY