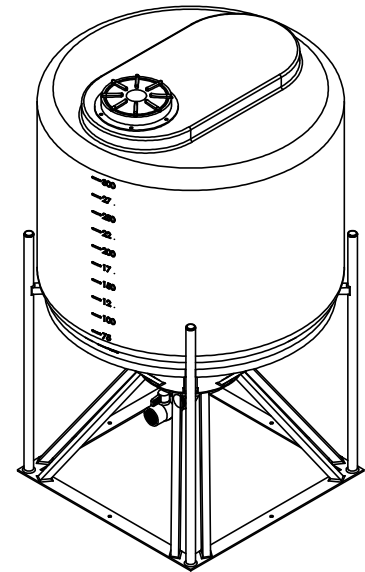


12.5" Lid  
#970185

2" Valve Kit  
#16208

Tank Stand  
#16376

2" Boss Fitting  
#970231



300 Gallon Cone Bottom  
Tank Package



1390 Neubrecht Road  
Lima, Ohio 45801

STOCK NO.

16392

REV  
A

DO NOT SCALE DRAWING

WEIGHT: 301 lbs.

DIMENSIONS ARE IN INCHES TOLERANCE: ± 1/4"		NAME	DATE
MATERIAL LLDPE - FDA resin		DRAWN	NJV 7/3/23
CAPACITY 300 Gallon		APPROVED	
GRADUATIONS 25 Gallon		REVISIONS	
NOMINAL WALL THICKNESS 1/4"		COMMENTS: 2" FPT Boss Fitting, 12.5" Lid, 2" Valve Kit & Tank Stand	

**PROPRIETARY AND CONFIDENTIAL**

THE INFORMATION CONTAINED IN THIS DRAWING IS THE SOLE PROPERTY OF TAMCO. ANY REPRODUCTION IN PART OR AS A WHOLE WITHOUT THE WRITTEN PERMISSION OF TAMCO IS PROHIBITED.

MAX. OPERATING TEMP. 140°F  
INTERMITTENT SERVICE TO 160°F  
SEE CHEMICAL RESISTANCE  
CHART FOR COMPATABILITY