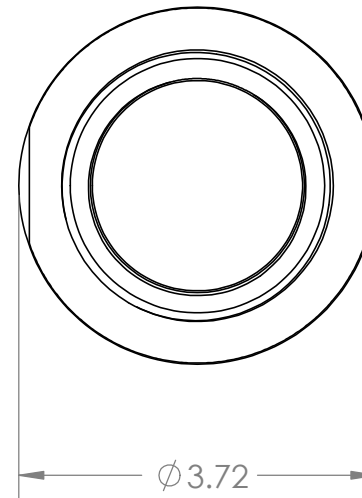
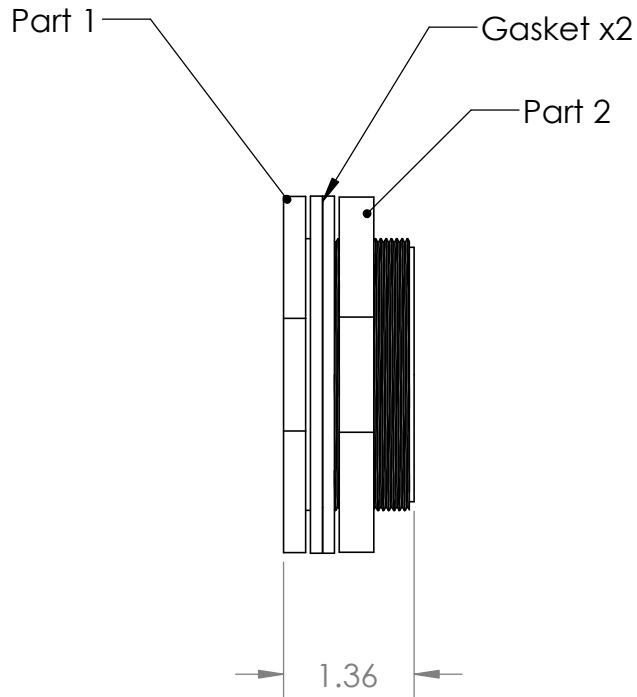
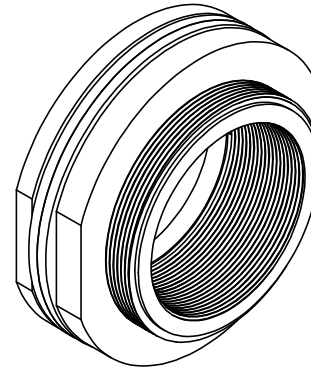


# Part details attached



2" PVC Tank Fitting w/  
Santoprene Gaskets  
2-7/8" Hole Size #16798



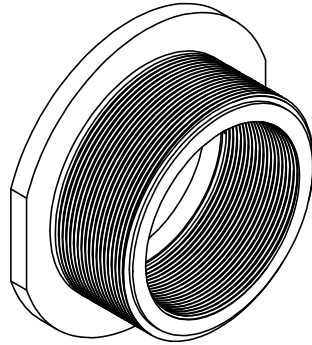
1390 Neubrecht Road  
Lima, Ohio 45801

DIMENSIONS ARE IN INCHES TOLERANCE: $\pm 0.02$ "		NAME	DATE
MATERIAL	PVC	DRAWN	CDH 06/28/16
CAPACITY	N/A	APPROVED	BAT 07/13/16
GRADUATIONS	N/A	COMMENTS: XXXX XXXX	
NOMINAL WALL THICKNESS	N/A		

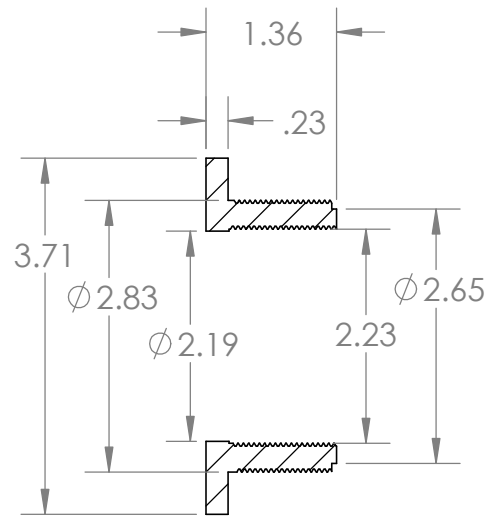
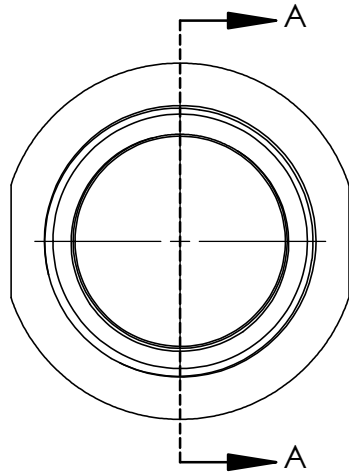
**PROPRIETARY AND CONFIDENTIAL**  
THE INFORMATION CONTAINED IN THIS DRAWING IS THE SOLE PROPERTY OF TAMCO. ANY REPRODUCTION IN PART OR AS A WHOLE WITHOUT THE WRITTEN PERMISSION OF TAMCO IS PROHIBITED.

MAX. OPERATING TEMP. 140°F  
SEE CHEMICAL RESISTANCE CHART FOR COMPATABILITY

STOCK NO.	REV
16798	A
DO NOT SCALE DRAWING	WEIGHT: 0.3 lbs.



# Part 1



SECTION A-A

2" PVC Tank Fitting w/  
Santoprene Gaskets  
2-7/8" Hole Size #16798



1390 Neubrecht Road  
Lima, Ohio 45801

STOCK NO. **16798** REV **A**

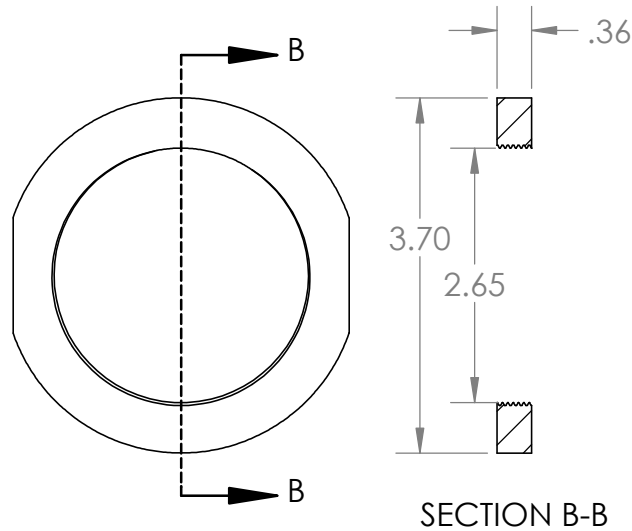
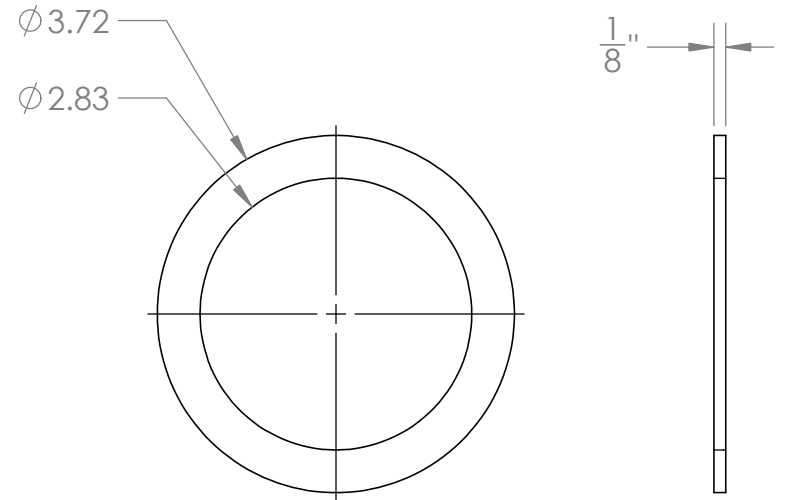
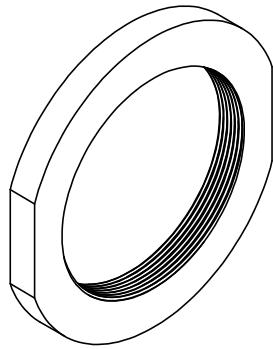
DO NOT SCALE DRAWING

WEIGHT: 0.3 lbs.

DIMENSIONS ARE IN INCHES TOLERANCE: ± 0.02"		NAME	DATE
MATERIAL	PVC	DRAWN	CDH 06/28/16
CAPACITY	N/A	APPROVED	BAT 07/13/16
GRADUATIONS	N/A	COMMENTS:	
NOMINAL WALL THICKNESS	N/A	XXXX XXXX	

**PROPRIETARY AND CONFIDENTIAL**  
THE INFORMATION CONTAINED IN THIS DRAWING IS THE SOLE PROPERTY OF TAMCO. ANY REPRODUCTION IN PART OR AS A WHOLE WITHOUT THE WRITTEN PERMISSION OF TAMCO IS PROHIBITED.

MAX. OPERATING TEMP. 140°F  
SEE CHEMICAL RESISTANCE  
CHART FOR COMPATABILITY



# Gasket

## Part 2

2" PVC Tank Fitting w/  
Santoprene Gaskets  
2-7/8" Hole Size #16798



1390 Neubrecht Road  
Lima, Ohio 45801

STOCK NO.	REV
16798	A
DO NOT SCALE DRAWING	WEIGHT: 0.3 lbs.

DIMENSIONS ARE IN INCHES TOLERANCE: ± 0.02"		NAME	DATE
MATERIAL	PVC	DRAWN	CDH 06/28/16
CAPACITY	N/A	APPROVED	BAT 07/13/16
GRADUATIONS	N/A	COMMENTS:	
NOMINAL WALL THICKNESS	N/A	XXXX XXXX	

**PROPRIETARY AND CONFIDENTIAL**  
THE INFORMATION CONTAINED IN THIS DRAWING IS THE SOLE PROPERTY OF TAMCO. ANY REPRODUCTION IN PART OR AS A WHOLE WITHOUT THE WRITTEN PERMISSION OF TAMCO IS PROHIBITED.

MAX. OPERATING TEMP. 140°F  
SEE CHEMICAL RESISTANCE CHART FOR COMPATABILITY