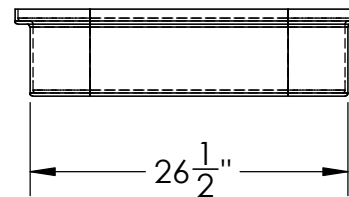
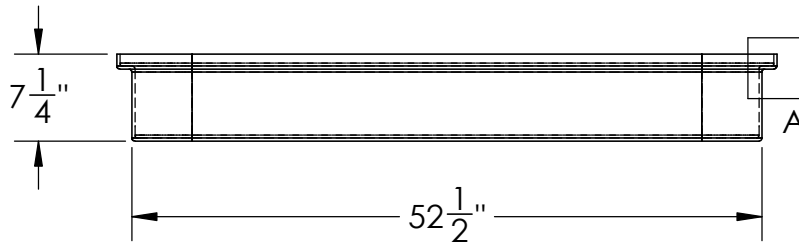
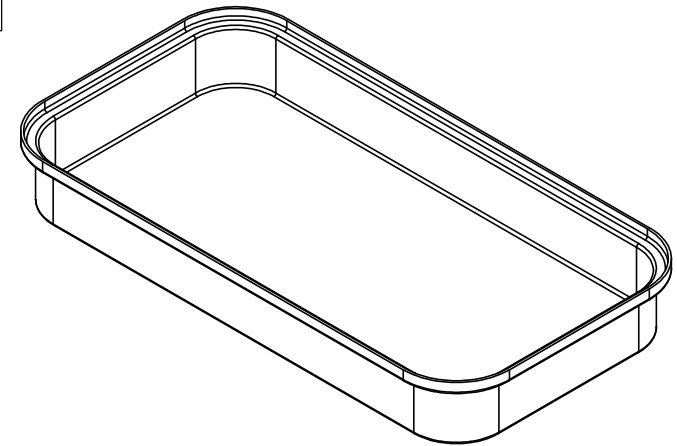


DETAIL A



Drum Containment Basin



1390 Neubrecht Road  
Lima, Ohio 45801

STOCK NO.  
17143, 17144, 17145, 17147

REV  
A

DO NOT SCALE DRAWING

WEIGHT: 22.5 lbs.

DIMENSIONS ARE IN INCHES TOLERANCE: ± 1/4"		DRAWN	NAME	DATE
MATERIAL LLDPE - FDA resin		APPROVED	JMP	03/30/21
CAPACITY 40 Gal.		REVISIONS		
GRADUATIONS N/A		COMMENTS: Natural, Yellow, Blue, Black UV Stabilized		
NOMINAL WALL THICKNESS 1/4"				

**PROPRIETARY AND CONFIDENTIAL**  
THE INFORMATION CONTAINED IN THIS DRAWING IS THE SOLE PROPERTY OF TAMCO. ANY REPRODUCTION IN PART OR AS A WHOLE WITHOUT THE WRITTEN PERMISSION OF TAMCO IS PROHIBITED.

MAX. OPERATING TEMP. 140°F  
INTERMITTENT SERVICE TO 160°F  
SEE CHEMICAL RESISTANCE  
CHART FOR COMPATIBILITY