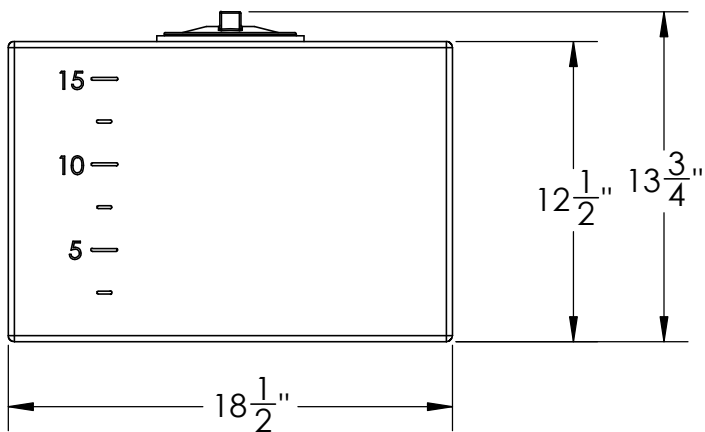
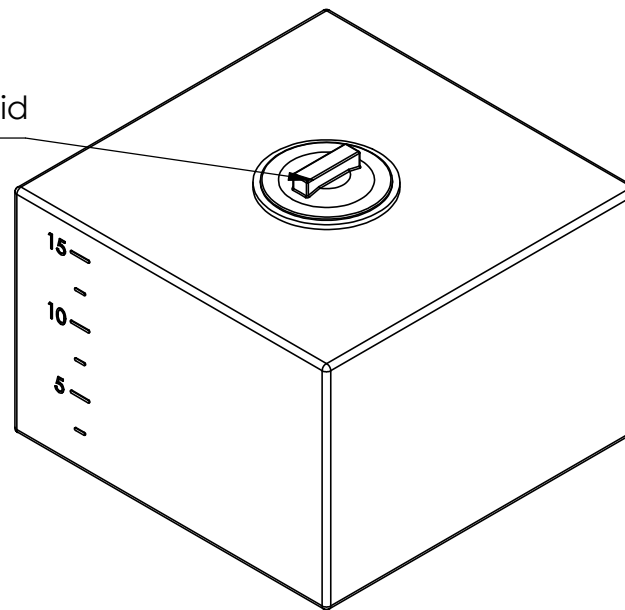


4" Threaded Lid
#970225



15 Gal Rectangular Utility Tank



1390 Neubrecht Road
Lima, Ohio 45801

STOCK NO.
17999

REV
A

DO NOT SCALE DRAWING

WEIGHT: 14 lbs.

DIMENSIONS ARE IN INCHES
TOLERANCE: $\pm 1/16"$

MATERIAL
LLDPE - FDA resin

CAPACITY
15 Gallon

GRADUATIONS
2.5 Gallon

NOMINAL WALL THICKNESS
3/16"

	NAME	DATE
DRAWN	NJV	7/5/23
APPROVED		
REVISIONS		

COMMENTS:
**Natural
UV Stabilized**

PROPRIETARY AND CONFIDENTIAL

THE INFORMATION CONTAINED IN THIS DRAWING IS THE SOLE PROPERTY OF TAMCO. ANY REPRODUCTION IN PART OR AS A WHOLE WITHOUT THE WRITTEN PERMISSION OF TAMCO IS PROHIBITED.

MAX. OPERATING TEMP. 140°F
INTERMITTENT SERVICE TO 160°F
SEE CHEMICAL RESISTANCE
CHART FOR COMPATIBILITY