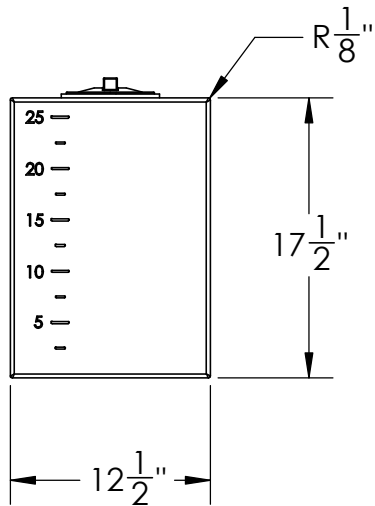
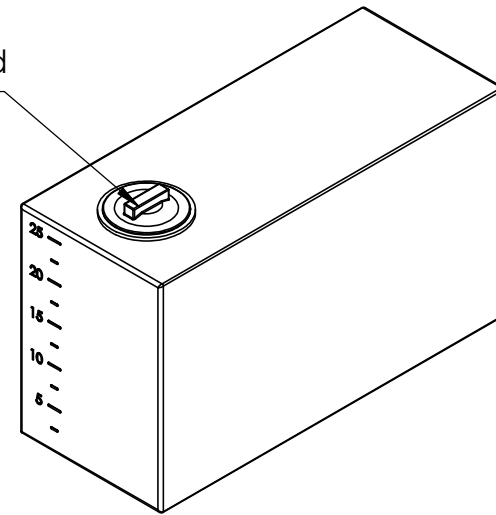


4" Threaded Lid
#970225



Rectangular Utility Tank



1390 Neubrecht Road
Lima, Ohio 45801

DIMENSIONS ARE IN INCHES TOLERANCE: ± 1/4"	
MATERIAL	LLDPE - FDA resin
CAPACITY	25 Gallon
GRADUATIONS	2.5 Gallon
NOMINAL WALL THICKNESS	3/16"

	NAME	DATE
DRAWN	NJV	7/3/23
APPROVED		
REVISIONS		
COMMENTS:		
Natural UV Stabilized		

STOCK NO.
18010

REV
A

DO NOT SCALE DRAWING

WEIGHT: 19 lbs.

PROPRIETARY AND CONFIDENTIAL

THE INFORMATION CONTAINED IN THIS DRAWING IS THE SOLE PROPERTY OF TAMCO. ANY REPRODUCTION IN PART OR AS A WHOLE WITHOUT THE WRITTEN PERMISSION OF TAMCO IS PROHIBITED.

MAX. OPERATING TEMP. 140°F
INTERMITTENT SERVICE TO 160°F
SEE CHEMICAL RESISTANCE
CHART FOR COMPATABILITY