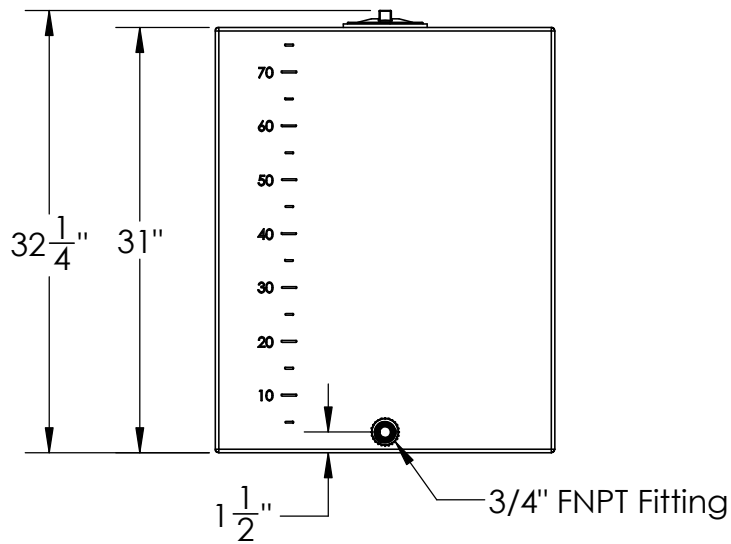
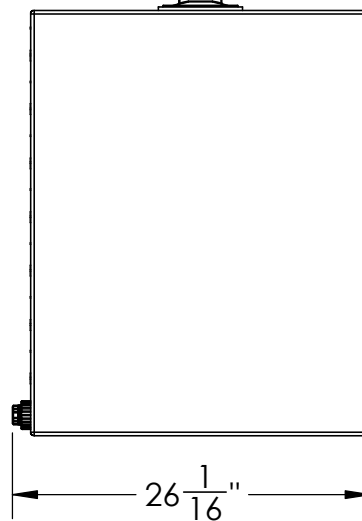


4" Lid and Flange Assembly



Polyethylene Utility Tank



1390 Neubrecht Road  
Lima, Ohio 45801

DIMENSIONS ARE IN INCHES TOLERANCE: ± 1/4"		NAME	DATE
MATERIAL	LLDPE - FDA resin	DRAWN	NJV 7/5/23
CAPACITY	75 Gallon	APPROVED	
GRADUATIONS	5 Gallon	REVISIONS	
NOMINAL WALL THICKNESS	1/4"	COMMENTS: Natural, Black, Blue UV Stabilized	

STOCK NO.	REV
18038, 18040, 18041	A
DO NOT SCALE DRAWING	WEIGHT: 36 lbs.

**PROPRIETARY AND CONFIDENTIAL**  
THE INFORMATION CONTAINED IN THIS DRAWING IS THE SOLE PROPERTY OF TAMCO. ANY REPRODUCTION IN PART OR AS A WHOLE WITHOUT THE WRITTEN PERMISSION OF TAMCO IS PROHIBITED.

MAX. OPERATING TEMP. 140°F  
INTERMITTENT SERVICE TO 160°F  
SEE CHEMICAL RESISTANCE CHART FOR COMPATIBILITY