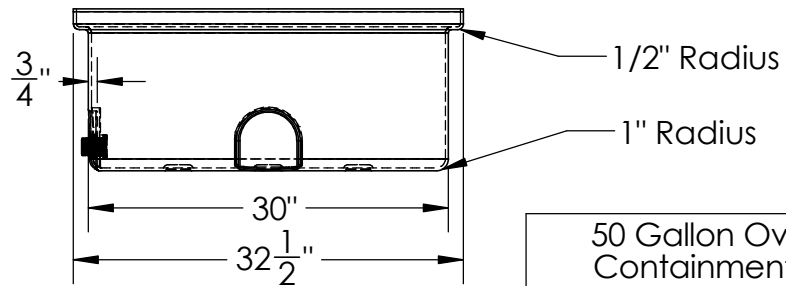
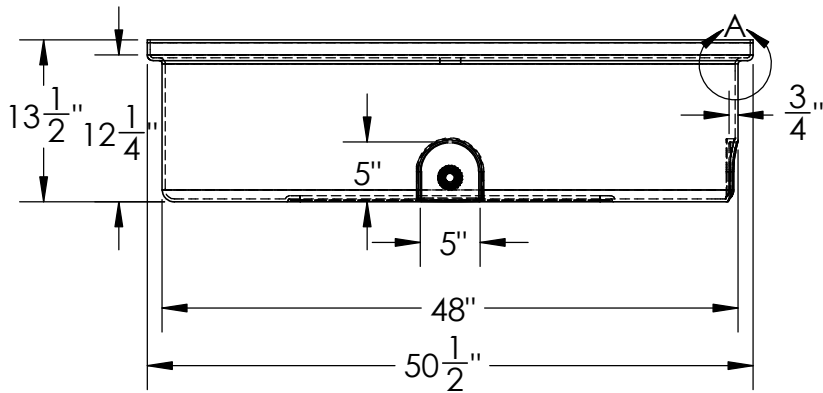


DETAIL A



50 Gallon Oval Secondary Containment / Stock Tank with Side Drain



1390 Neubrecht Road
Lima, Ohio 45801

STOCK NO.
18561, 18562, 18563,
18564, 19055

REV
A

DO NOT SCALE DRAWING

WEIGHT: 26 lbs.

DIMENSIONS ARE IN INCHES TOLERANCE: ± 1/4"		NAME	DATE
MATERIAL	LLDPE - FDA resin	DRAWN	NJV 7/11/23
CAPACITY	50 US gal.	APPROVED	
GRADUATIONS	N/A	COMMENTS:	
NOMINAL WALL THICKNESS	1/4"	Natural, Yellow, Blue, Black, Forest Green UV Stabilized	

PROPRIETARY AND CONFIDENTIAL

THE INFORMATION CONTAINED IN THIS DRAWING IS THE SOLE PROPERTY OF TAMCO. ANY REPRODUCTION IN PART OR AS A WHOLE WITHOUT THE WRITTEN PERMISSION OF TAMCO IS PROHIBITED.

MAX. OPERATING TEMP. 140°F
INTERMITTENT SERVICE TO 160°F
SEE CHEMICAL RESISTANCE
CHART FOR COMPATIBILITY