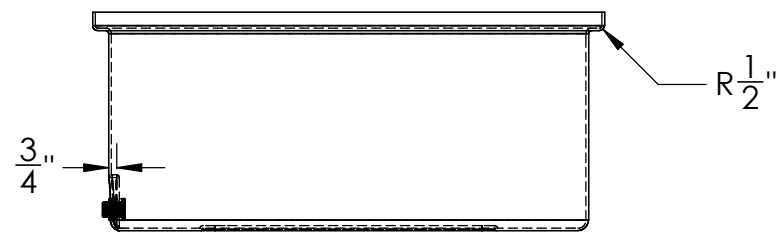
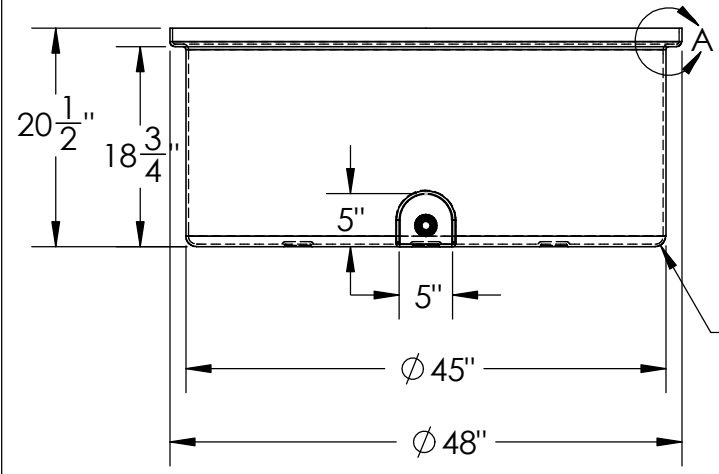


DETAIL A



125 Gallon Round Secondary Containment / Stock Tank with Drain



1390 Neubrecht Road
Lima, Ohio 45801

STOCK NO.
18577, 18578, 18579,
18580, 19060

REV
A

DO NOT SCALE DRAWING

WEIGHT: 39 lbs.

DIMENSIONS ARE IN INCHES TOLERANCE: ± 1/4"		NAME	DATE
MATERIAL LLDPE - FDA resin		DRAWN	NJV 7/12/23
CAPACITY 125 US gal.		APPROVED	
GRADUATIONS N/A		COMMENTS: Natural, Yellow, Blue, Black, Forest Green UV Stabilized	
NOMINAL WALL THICKNESS 1/4"			

PROPRIETARY AND CONFIDENTIAL
THE INFORMATION CONTAINED IN THIS DRAWING IS THE SOLE PROPERTY OF TAMCO. ANY REPRODUCTION IN PART OR AS A WHOLE WITHOUT THE WRITTEN PERMISSION OF TAMCO IS PROHIBITED.

MAX. OPERATING TEMP. 140°F
INTERMITTENT SERVICE TO 160°F
SEE CHEMICAL RESISTANCE CHART FOR COMPATIBILITY