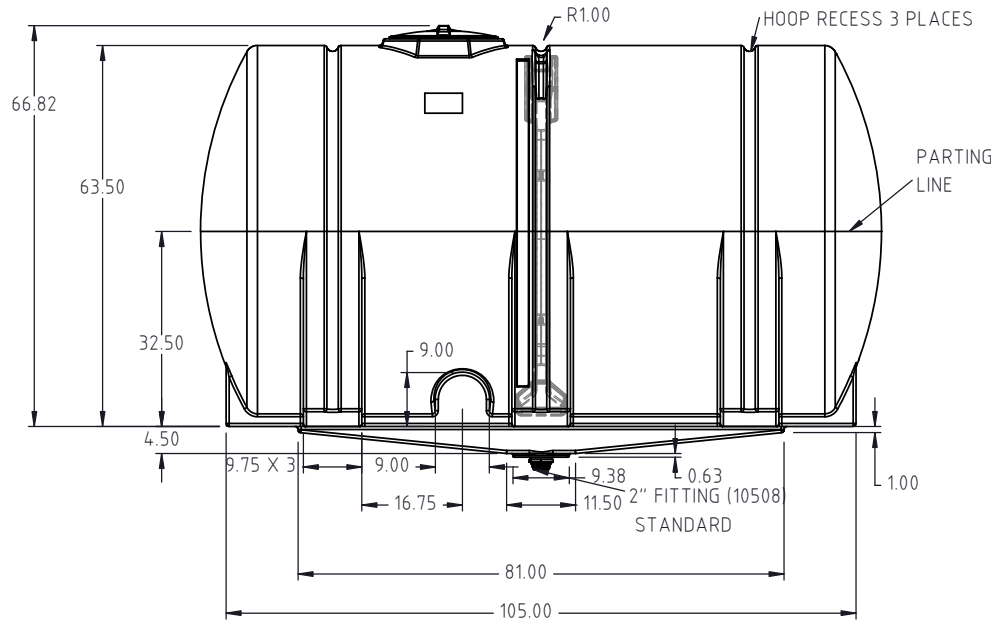
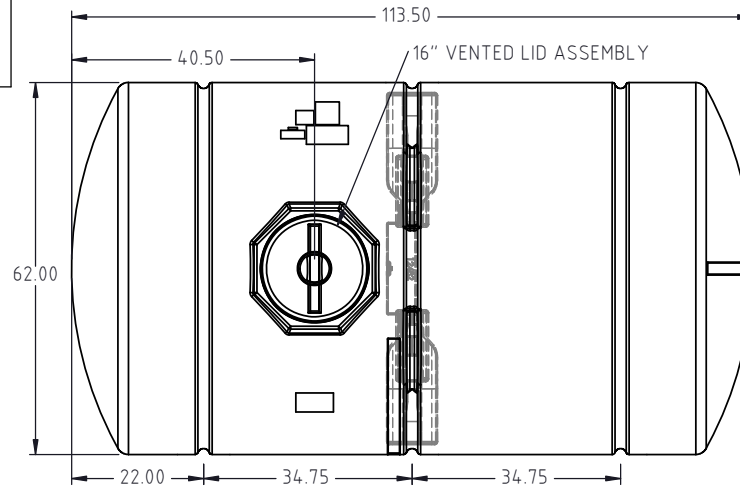
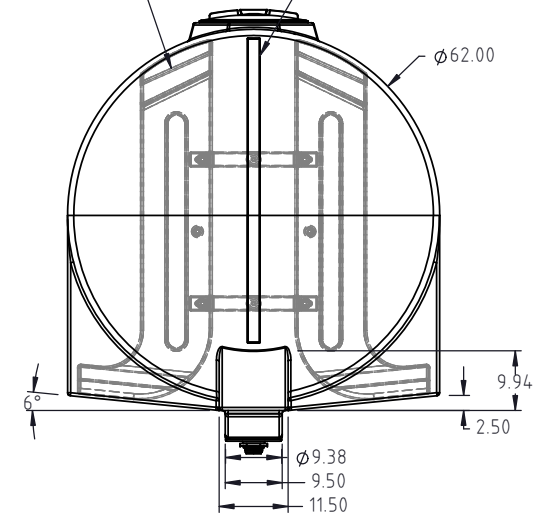


Copyright. All information furnished within this document, electronic file or design correspondence is the property of Den Hartog Industries, Inc. and shall not be used, disclosed to others or copied without the expressed written consent of Den Hartog Industries, Inc.



FM1310-62-BAF  
BAFFLE KIT REQUIRED.  
SHOWN FOR REFERENCE.

GALLON INDICATORS 2 PLACES  
IN 50 GALLON INCREMENTS



				DRAWN / DATE ADH 3/2/20	MATERIAL HDPE
				APPRD. / DATE REH 7/15/20	
REV	DESCRIPTION	BY / DATE	CCN		
ALL DIMENSIONS ARE IN DECIMAL INCHES TOLERANCES UNLESS OTHERWISE SPECIFIED		THIRD ANGLE PROJECTION ANSI 14.5M		SHOT WEIGHT: 460.00 LBS	NOTES: 1.) NOM. WALL = 0.454
POLYETHYLENE		METAL DECIMAL ± .125" FRACTION ± 1/4" ANGLE ± 1°		SHIPPING WEIGHT: 462.00 LBS	
±1% @ 68°F				FINISH:	



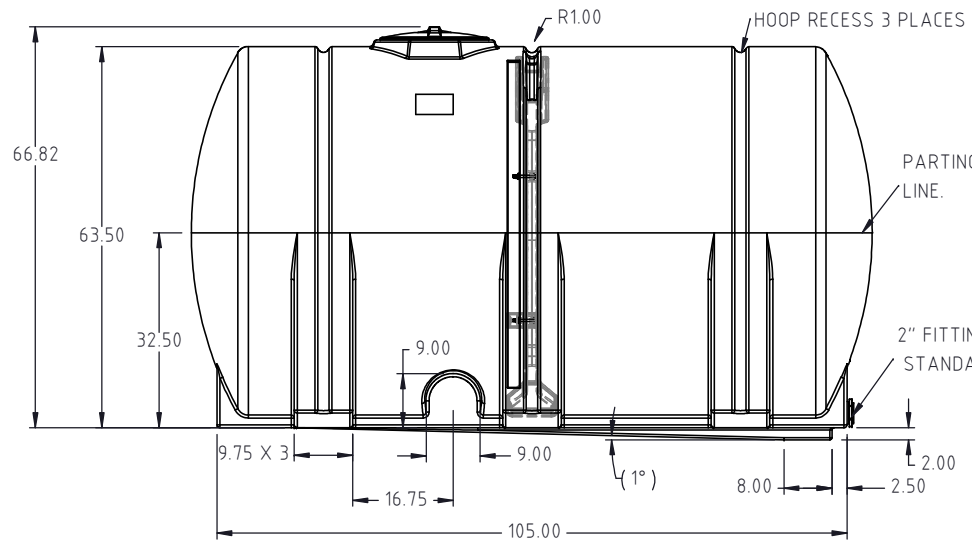
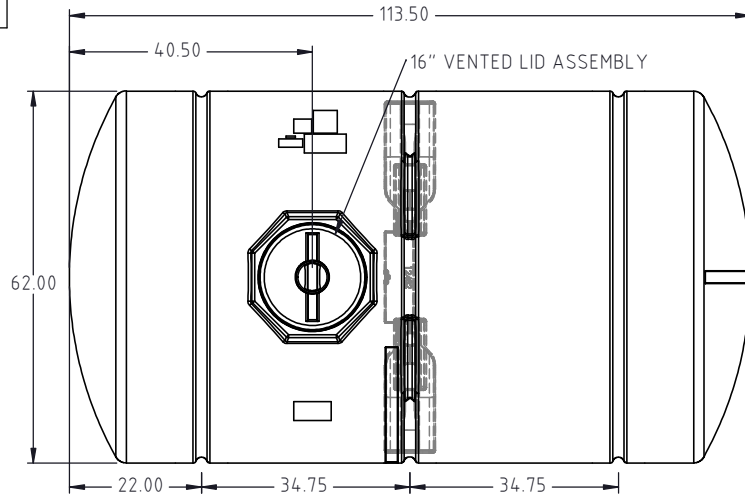
**Den Hartog**  
INDUSTRIES, INC.

Ace Roto-Mold Injection Molding Blow Molding Sowjoy

4010 HOSPERS DRIVE S. BOX 425, HOSPERS, IOWA 51238-0425

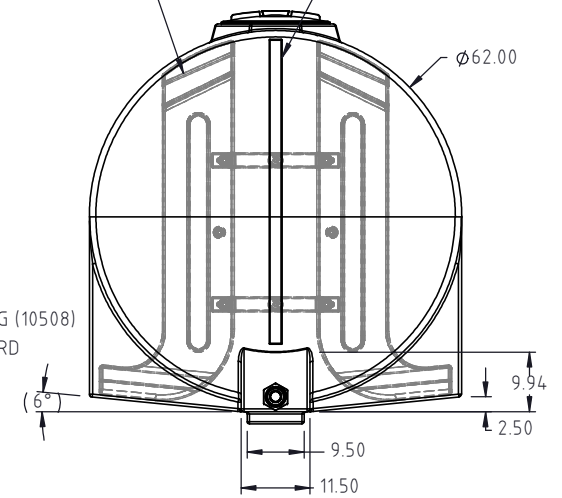
DESCRIPTION 1310 GAL. FREE STANDING LEG TANK WITH CENTER DRAIN SUMP		
SCALE N.S.	PART NO. FM1310-62C	SHEET 1 OF 1

Copyright. All information furnished within this document, electronic file or design correspondence is the property of Den Hartog Industries, Inc. and shall not be used, disclosed to others or copied without the expressed written consent of Den Hartog Industries, Inc.



FM1310-62-BAF  
BAFFLE KIT REQUIRED.  
SHOWN FOR REFERENCE.

GALLON INDICATORS 2 PLACES  
IN 50 GALLON INCREMENTS



				DRAWN / DATE ADH 3/2/20	MATERIAL HDPE
				APPRO. / DATE REH 7/15/20	
REV	DESCRIPTION	BY / DATE	CCN		
ALL DIMENSIONS ARE IN DECIMAL INCHES TOLERANCES UNLESS OTHERWISE SPECIFIED		THIRD ANGLE PROJECTION ANSI 14.5M		SHOT WEIGHT: 460.00 LBS	NOTES: 1.) NOM. WALL = 0.454
POLYETHYLENE ±1% @ 68°F		METAL DECIMAL ± .125" FRACTION ± 1/4" ANGLE ± 1°		SHIPPING WEIGHT: 462.00 LBS	
		FINISH:			



**Den Hartog**  
INDUSTRIES, INC.

Acra Roto-Mold Injection Molding Blow Molding Sowjoy

4010 HOSPERS DRIVE S. BOX 425, HOSPERS, IOWA 51238-0425

DESCRIPTION 1310 GAL. FREE STANDING LEG TANK WITH END DRAIN SUMP		
SCALE N.S.	PART NO. FM1310-62E	SHEET 1 OF 1