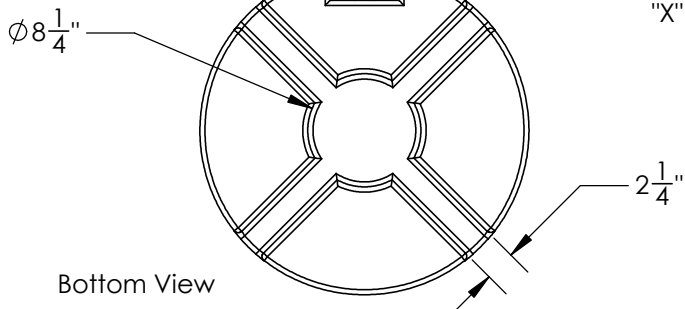
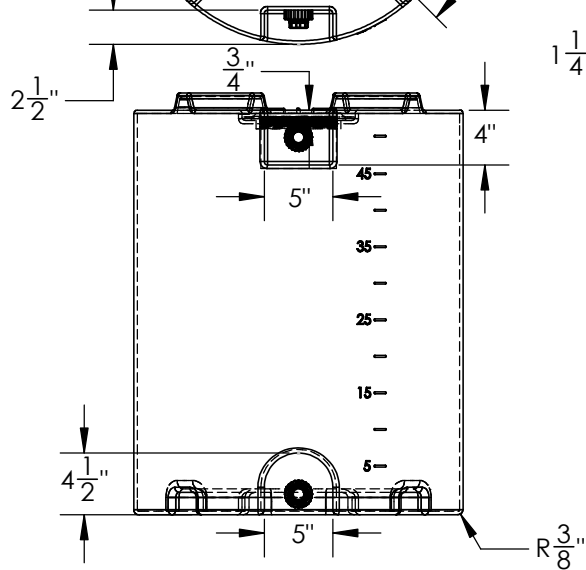
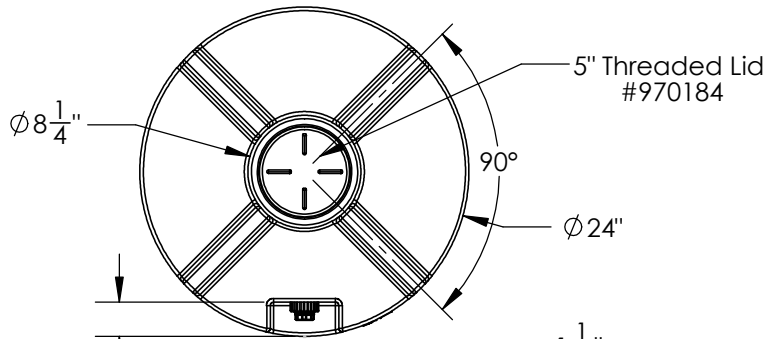
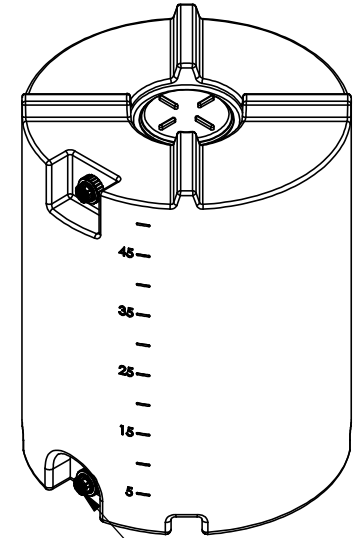
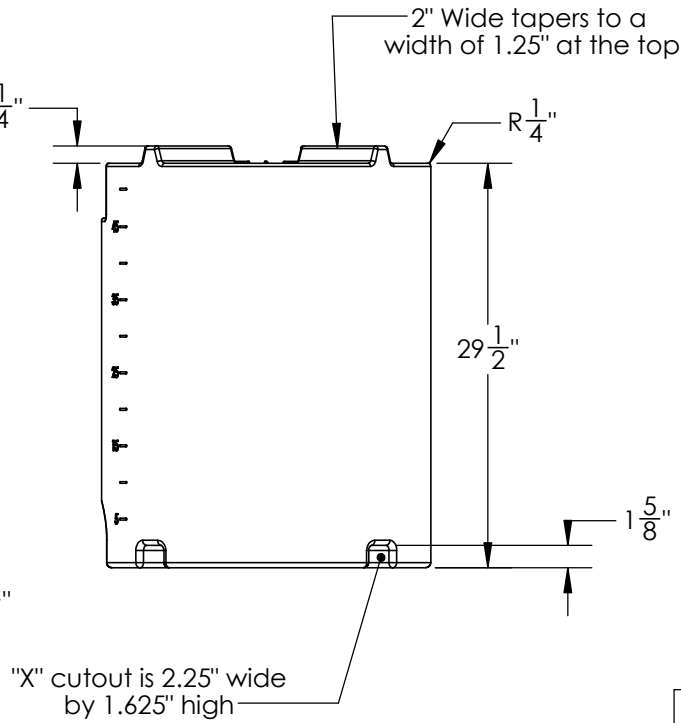


Top View



Bottom View



3/4" Bulkhead Fitting
#970233

"X" cutout is 2.25" wide
by 1.625" high

Stackable 50 Gal Storage Tank
w/ 5" Lid
& 3/4" Bulkhead Fitting (2)



STOCK NO.
18921, 18922, 18923, 19048

REV
A

DO NOT SCALE DRAWING

WEIGHT: 30 lbs.

PROPRIETARY AND CONFIDENTIAL

THE INFORMATION CONTAINED IN THIS DRAWING IS THE SOLE PROPERTY OF TAMCO. ANY REPRODUCTION IN PART OR AS A WHOLE WITHOUT THE WRITTEN PERMISSION OF TAMCO IS PROHIBITED.

MAX. OPERATING TEMP. 140°F
INTERMITTENT SERVICE TO 160°F
SEE CHEMICAL RESISTANCE
CHART FOR COMPATABILITY

DIMENSIONS ARE IN INCHES
TOLERANCE: ± 1/4"

MATERIAL
LLDPE - FDA resin

CAPACITY
50 Gallon

GRADUATIONS
5 Gallon

NOMINAL WALL THICKNESS
1/4"

DRAWN
APPROVED
REVISIONS
COMMENTS:

NAME
NJV

DATE
7/14/23

Natural, Black, Blue,
Forest Green
UV Stabilized