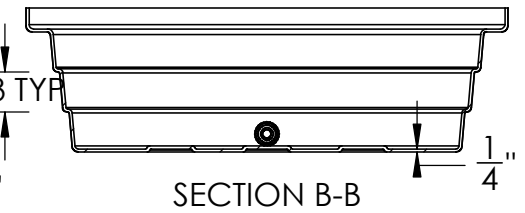
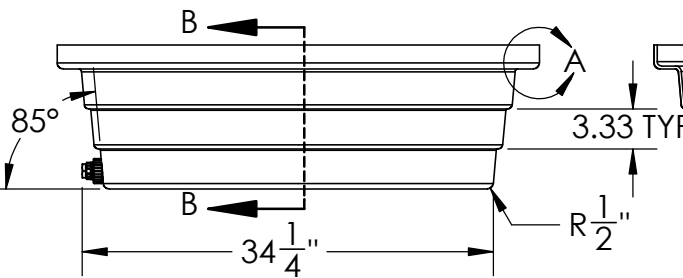
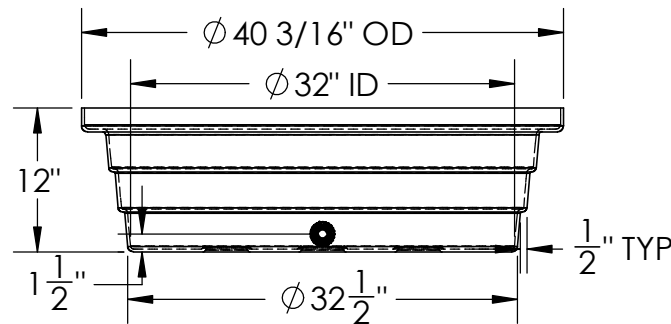


DETAIL A



SECTION B-B

1 Drum Tray w/ 3/4" Drain & Plug

TAMCO
INDUSTRIES
1390 Neubrecht Road
Lima, Ohio 45801

STOCK NO.
18942, 18943, 18944, 18945,
18946, 18947, 19068

REV
A

DO NOT SCALE DRAWING

WEIGHT: 22 lbs.

DIMENSIONS ARE IN INCHES TOLERANCE: ± 1/4"		NAME	DATE
MATERIAL	LLDPE - FDA resin	DRAWN	NJV 7/28/23
CAPACITY	40 Gal	APPROVED	
GRADUATIONS	N/A	REVISIONS	
NOMINAL WALL THICKNESS	1/4"	COMMENTS: Black, Blue, Red, Yellow, Natural, Green, Forest Green	

PROPRIETARY AND CONFIDENTIAL
THE INFORMATION CONTAINED IN THIS DRAWING IS THE SOLE PROPERTY OF TAMCO. ANY REPRODUCTION IN PART OR AS A WHOLE WITHOUT THE WRITTEN PERMISSION OF TAMCO IS PROHIBITED.

MAX. OPERATING TEMP. 140°F
INTERMITTENT SERVICE TO 160°F
SEE CHEMICAL RESISTANCE
CHART FOR COMPATIBILITY