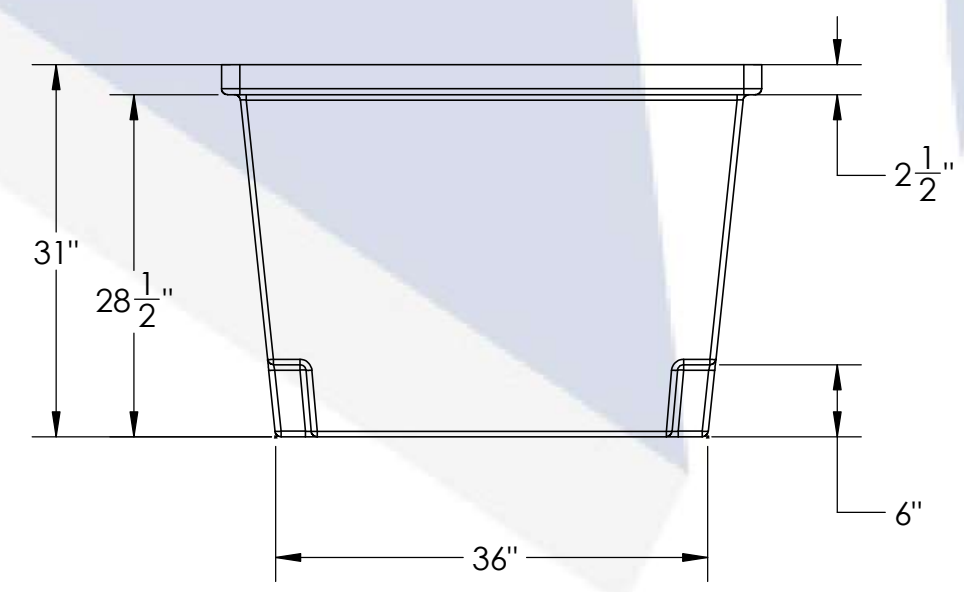
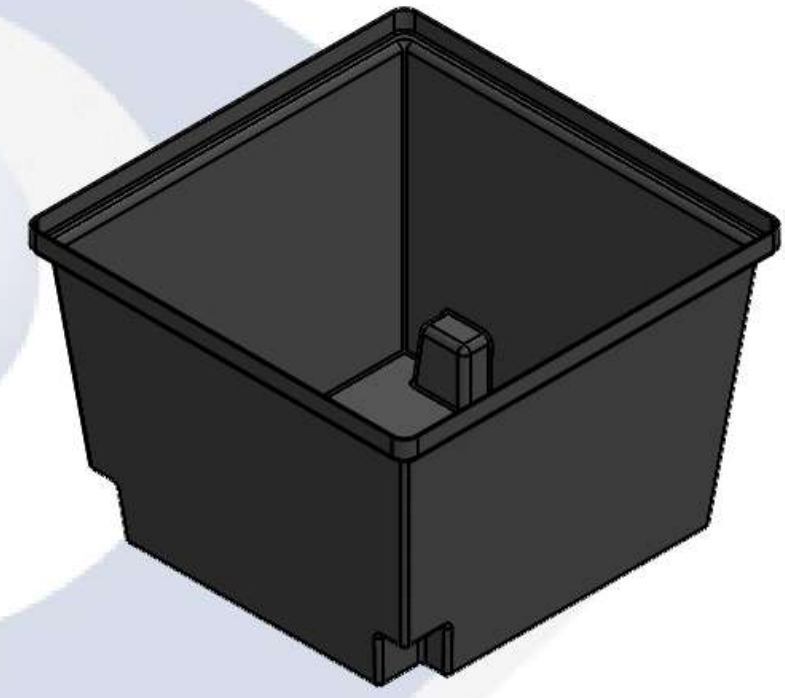
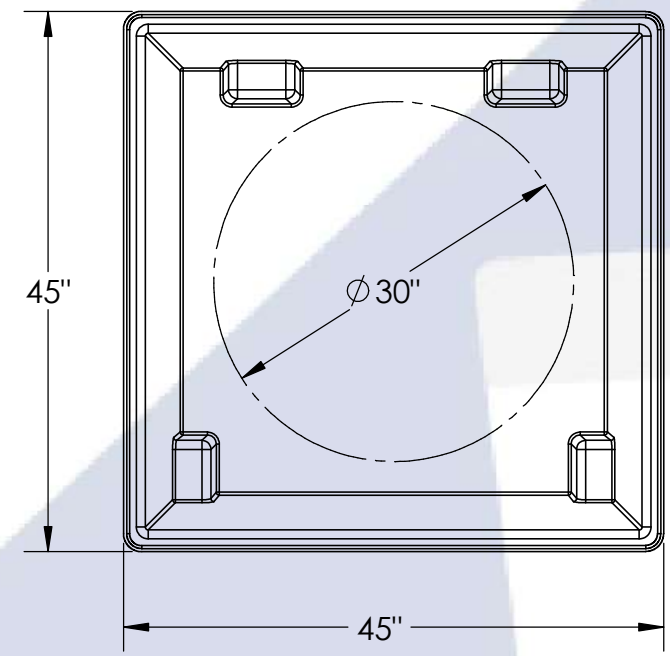



D
C
B
A

D
C
B
A



- NOTES:**
1. CAPACITY: 182 GAL. NOMINAL
 2. APPROXIMATE WEIGHT: 53.74 LBS
 3. TANK MATERIAL: LLDPE W/ UV INHIBITOR
 4. SERVICE PRESSURE: ATMOSPHERIC

PROPRIETARY AND CONFIDENTIAL
 THE INFORMATION CONTAINED IN THIS DRAWING IS THE SOLE PROPERTY OF PEABODY ENGINEERING. ANY REPRODUCTION IN PART OR AS A WHOLE WITHOUT THE WRITTEN PERMISSION OF PEABODY ENGINEERING IS PROHIBITED.

UNLESS OTHERWISE SPECIFIED:		NAME	DATE	
DIMENSIONS ARE IN INCHES TOLERANCES: ±1/4" ANGULAR: ± .5° ONE PLACE DECIMAL: ± .25 TWO PLACE DECIMAL: ± .125 THREE PLACE DECIMAL: ± .063		DRAWN	MSM 6/15/15	
TANK MATERIAL:	LLDPE	CHECKED		PROJECT: 125G PROCHEM BASIN
INNER TANK S/N:		ENG APPR.		CUSTOMER: PEABODY STANDARD
OUTER TANK S/N:		MFG APPR.		SITE/LOCATION: -
CUSTOMER PO#		Q.A.		DRAWING#: 253-31695
		ALTERNATIVE VERSIONS		SIZE B
		MATERIALS: XLPE, PPL, PVDF COLORS: NATURAL, BLUE OR BLACK AVAILABLE WITH FRP WRAP		DESC. CONTAINMENT BASIN FOR 125G PROCHEM TANK (182G CAPACITY)
		CALL FOR PART NUMBERS		REV. A
DO NOT SCALE DRAWING		SCALE: 1:16		SHEET 1 OF 1