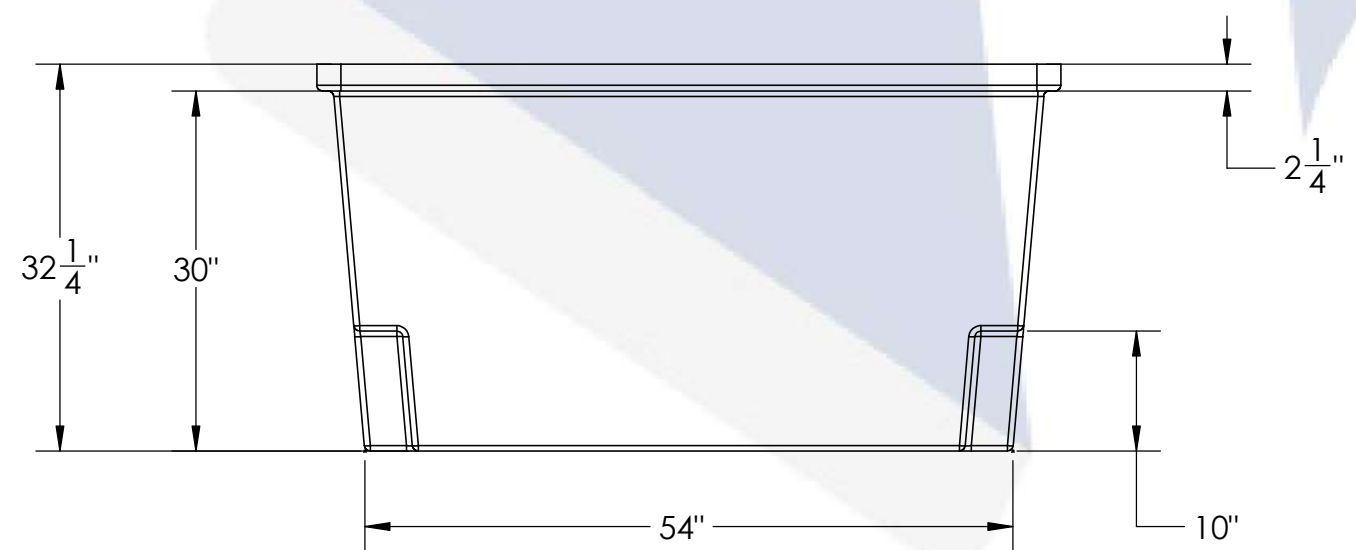
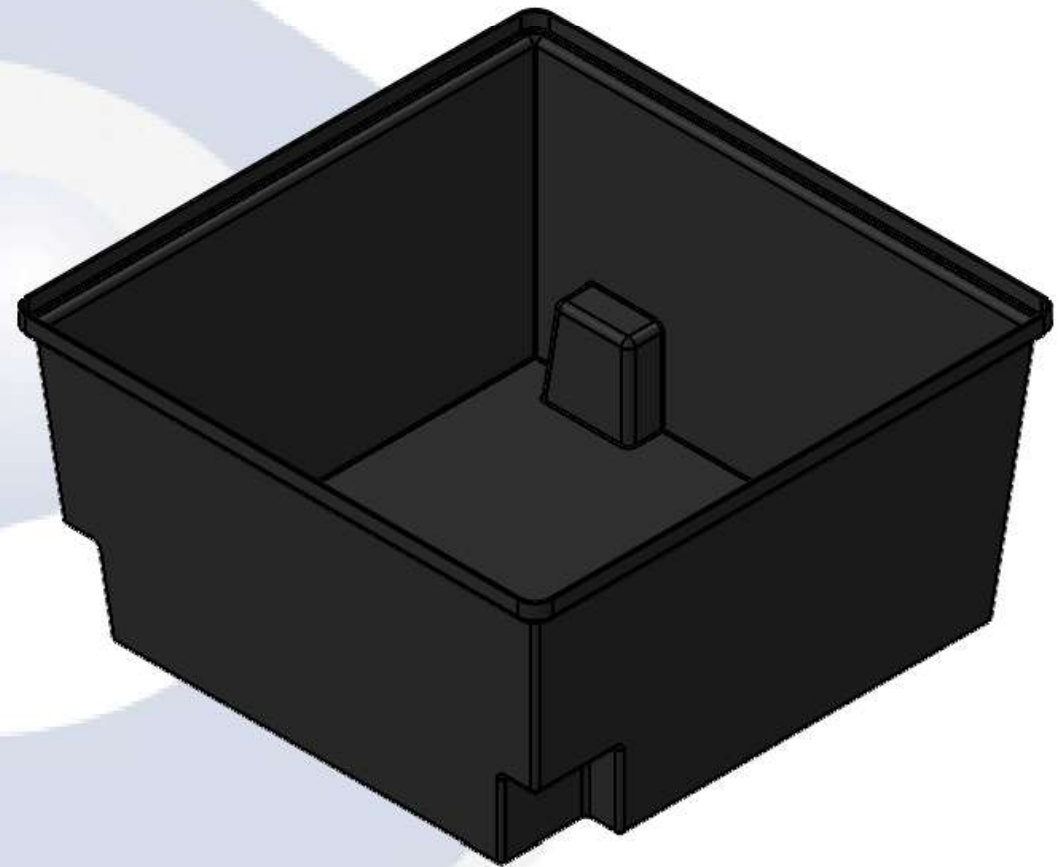
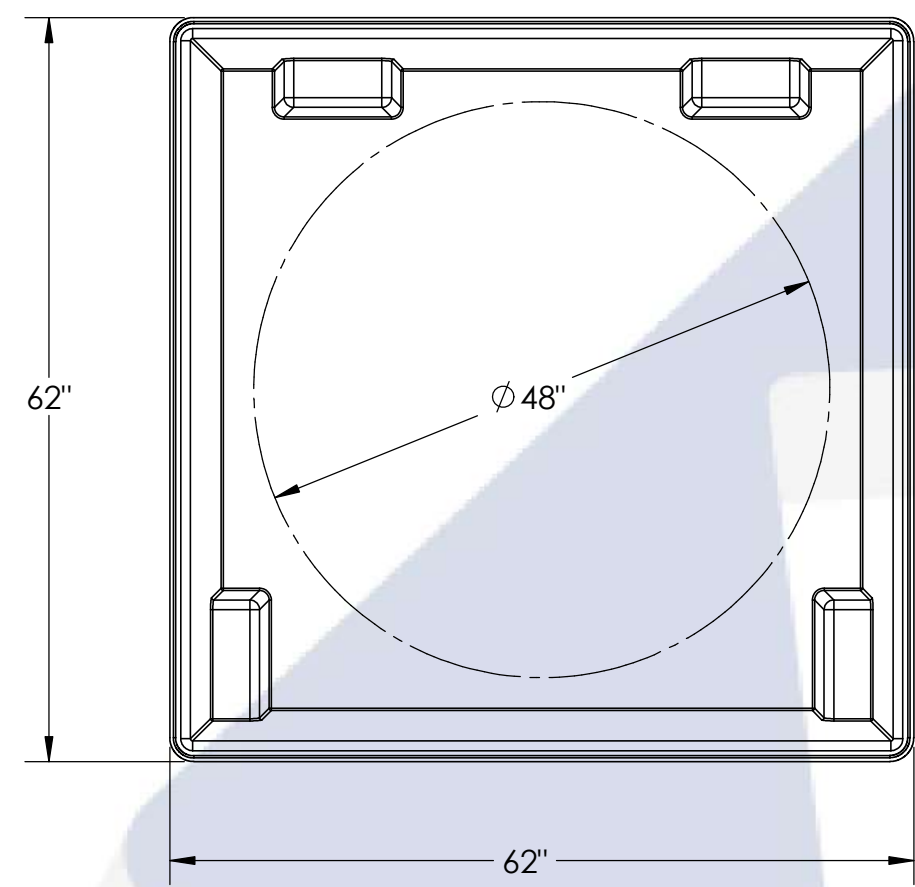



8 7 6 5 4 3 2 1

D
C
B
A



- NOTES:**
1. CAPACITY: 400 GAL. NOMINAL
 2. APPROXIMATE WEIGHT: 110.93 LBS
 3. TANK MATERIAL: LLDPE W/ UV INHIBITOR
 4. SERVICE PRESSURE: ATMOSPHERIC

PROPRIETARY AND CONFIDENTIAL
 THE INFORMATION CONTAINED IN THIS DRAWING IS THE SOLE PROPERTY OF PEABODY ENGINEERING. ANY REPRODUCTION IN PART OR AS A WHOLE WITHOUT THE WRITTEN PERMISSION OF PEABODY ENGINEERING IS PROHIBITED.

UNLESS OTHERWISE SPECIFIED:		NAME	DATE			
DIMENSIONS ARE IN INCHES TOLERANCES: ±1/4" ANGULAR: ±.5° ONE PLACE DECIMAL: ±.25 TWO PLACE DECIMAL: ±.125 THREE PLACE DECIMAL: ±.063		DRAWN	MSM 9/11/15			
TANK MATERIAL:	LLDPE	CHECKED		PROJECT:	300G PROCHEM BASIN	
INNER TANK S/N:		ENG APPR.		CUSTOMER:	PEABODY STANDARD	
OUTER TANK S/N:		MFG APPR.		SITE/LOCATION:	-	
CUSTOMER PO#		Q.A.		DRAWING#:	253-31635	
		ALTERNATIVE VERSIONS		SIZE	DESC. CONTAINMENT BASIN FOR 300G PROCHEM TANK (400G CONTAINMENT)	REV.
		CALL FOR PART NUMBERS		B		A
DO NOT SCALE DRAWING				SCALE: 1:16	SHEET 1 OF 1	

8 7 6 5 4 3 2 1