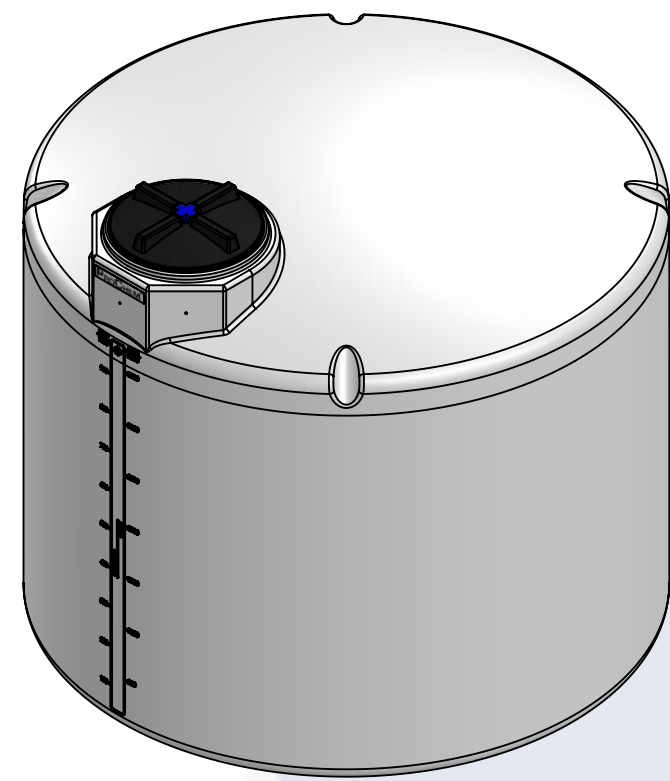
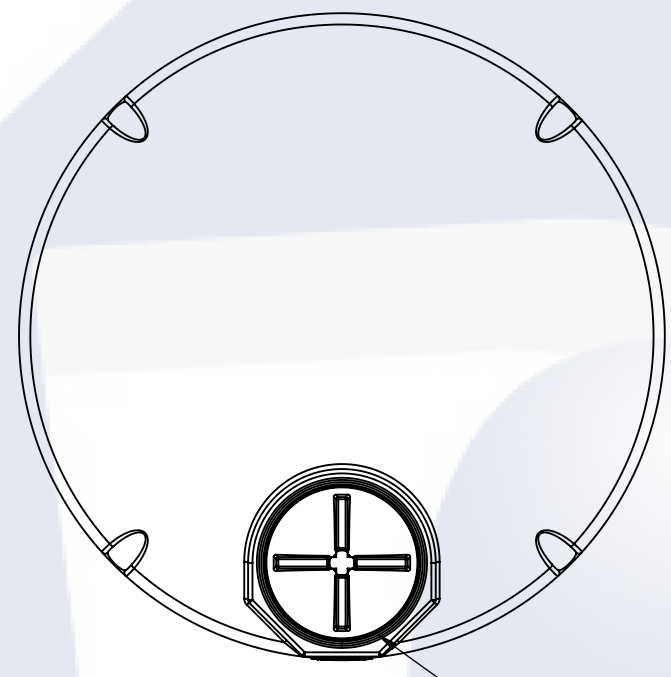


D
C
B
A

D
C
B
A

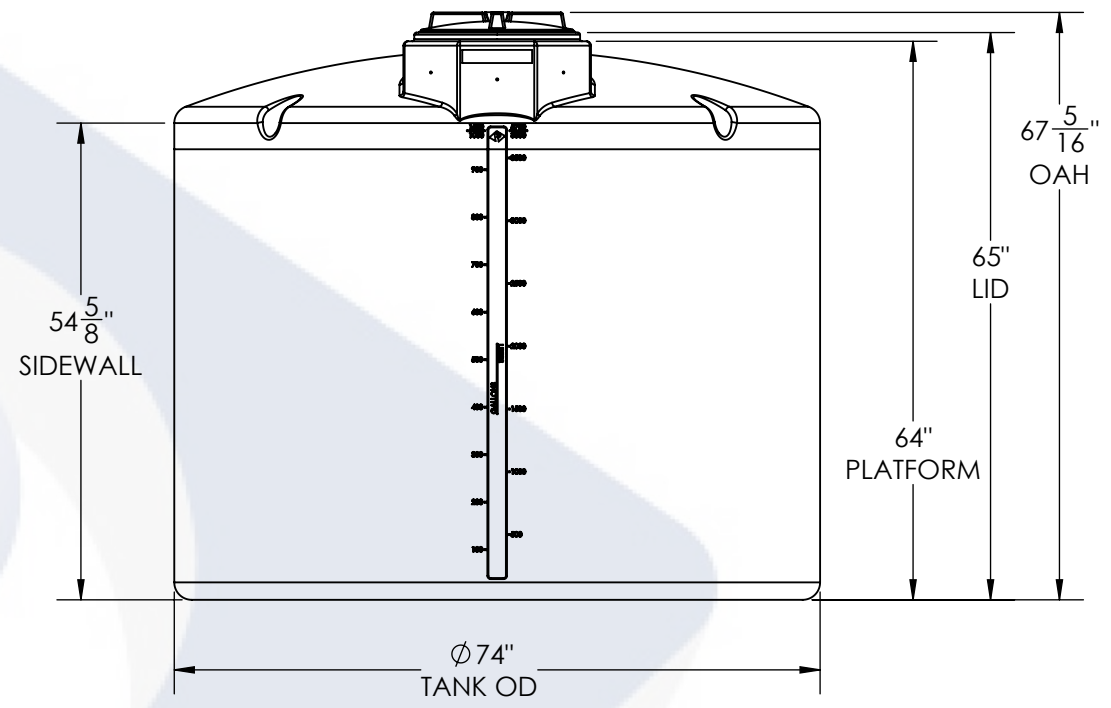


ISOMETRIC VIEW



PLAN VIEW

16" TWIST LID



FRONT VIEW

1000 GAL PROCHEM® PROCESS TANK Ø72.5 X 69"	PART NUMBER
	PROCESS CHEMICAL (NATURAL)
LPE (1.5)	01-33046
LPE (1.9)	01-33047
XLPE (1.9)	01-33048

ALTERNATIVE MATERIALS, COLOR, AND ACCESSORIES ARE AVAILABLE. CALL FOR ADDITIONAL INFO

- NOTES:
- CAPACITY: SIDEWALL 1000 GAL. NOMINAL UP TO LID 1095 GAL. NOMINAL
 - TANK MATERIAL OPTIONS: LPE 1.5, LPE 1.9, XLPE, FDA WATER, PPL, PVDF
 - SERVICE PRESSURE: ATMOSPHERIC
 - PVDF SERVICE PRESSURE: ±0.5 PSI
 - NSF/ANSI STANDARD 61 CERTIFIED
 - AVAILABLE W/FRP WRAP CONTACT CUSTOMER SERVICE FOR MORE INFO

PROPRIETARY AND CONFIDENTIAL
 THE INFORMATION CONTAINED IN THIS DRAWING IS THE SOLE PROPERTY OF PEABODY ENGINEERING. ANY REPRODUCTION IN PART OR AS A WHOLE WITHOUT THE WRITTEN PERMISSION OF PEABODY ENGINEERING IS PROHIBITED.

UNLESS OTHERWISE SPECIFIED:		NAME	DATE	
DIMENSIONS ARE IN INCHES TOLERANCES: ±1/4" ANGULAR: ±.5° ONE PLACE DECIMAL: ±.25 TWO PLACE DECIMAL: ±.125 THREE PLACE DECIMAL: ±.063		DRAWN	JO	
TANK MATERIAL: LLDPE		CHECKED		PROJECT: PROCHEM® TANKS
INNER TANK S/N:		ENG APPR.		CUSTOMER: PEABODY STANDARD
OUTER TANK S/N:		MFG APPR.		SITE/LOCATION: FOB: CORONA, CA
CUSTOMER PO#		Q.A.		SALES ORDER: -
DO NOT SCALE DRAWING				SIZE B DESC. 1000 GAL PROCHEM® TANK, Ø74" x 68" REV. B
		SCALE: 1:22		SHEET 1 OF 1