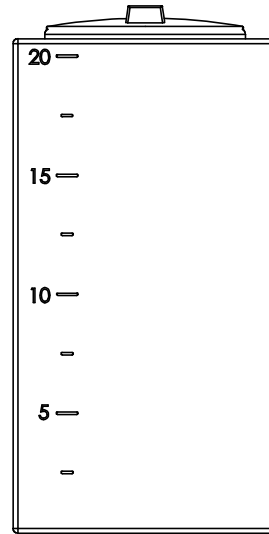
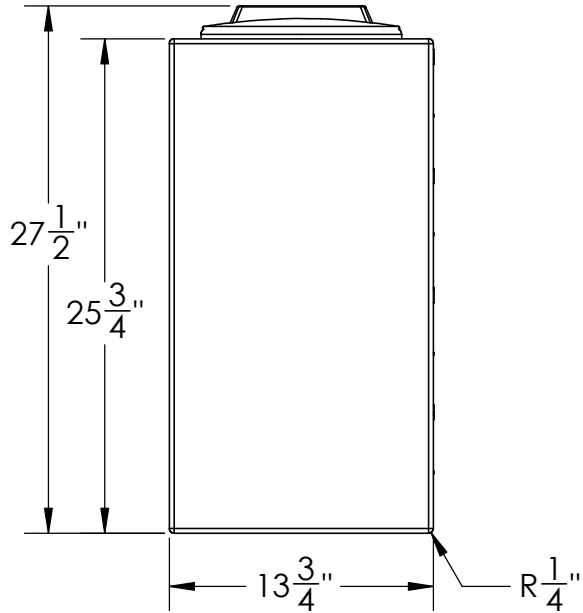
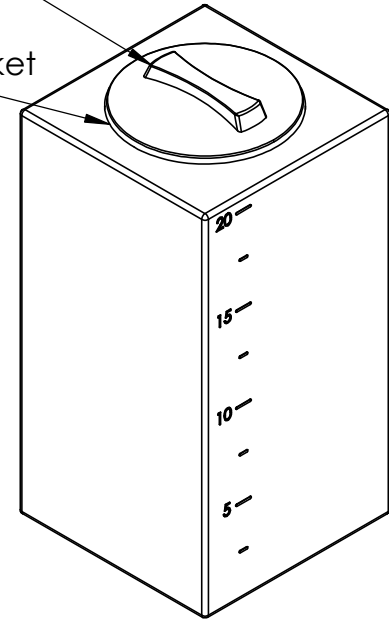


8" Closed Non-Vented Lid
#970325

8" Lid Ring w/ Gasket
#970326



20 Gal Rectangular Utility Tank
w/ Gasketed Ring & Lid



1390 Neubrecht Road
Lima, Ohio 45801

STOCK NO.
23690, 27749, 27750

REV
A

DO NOT SCALE DRAWING

WEIGHT: 15 lbs.

DIMENSIONS ARE IN INCHES
TOLERANCE: ± 1/4"

MATERIAL
LLDPE - FDA resin

CAPACITY
20 Gallon

GRADUATIONS
2.5 Gallon

NOMINAL WALL THICKNESS
3/16"

	NAME	DATE
DRAWN	NJV	4/24/24
APPROVED		
REVISIONS	NJV	4/21/26

COMMENTS:
Natural, Black, Blue
UV Stabilized

PROPRIETARY AND CONFIDENTIAL

THE INFORMATION CONTAINED IN THIS DRAWING IS THE SOLE PROPERTY OF TAMCO. ANY REPRODUCTION IN PART OR AS A WHOLE WITHOUT THE WRITTEN PERMISSION OF TAMCO IS PROHIBITED.

MAX. OPERATING TEMP. 140°F
INTERMITTENT SERVICE TO 160°F
SEE CHEMICAL RESISTANCE
CHART FOR COMPATIBILITY