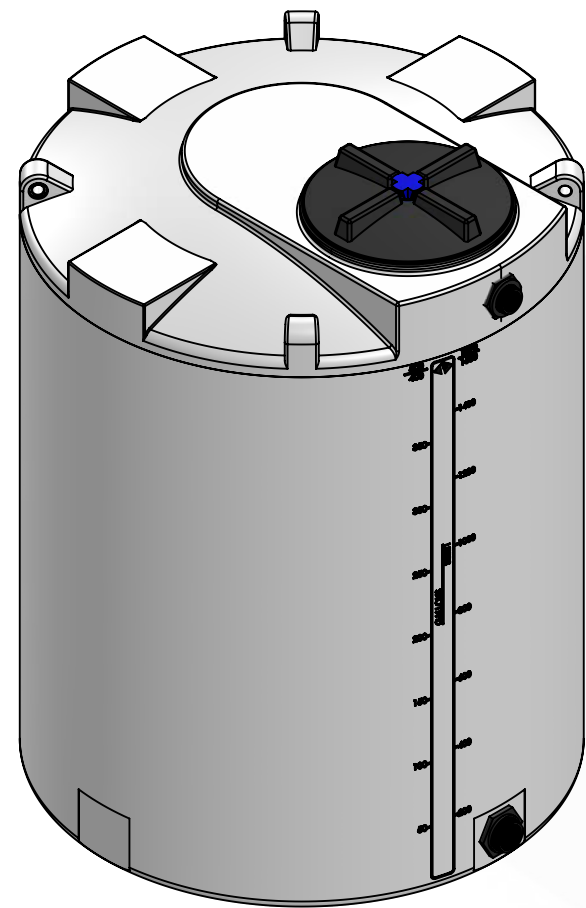
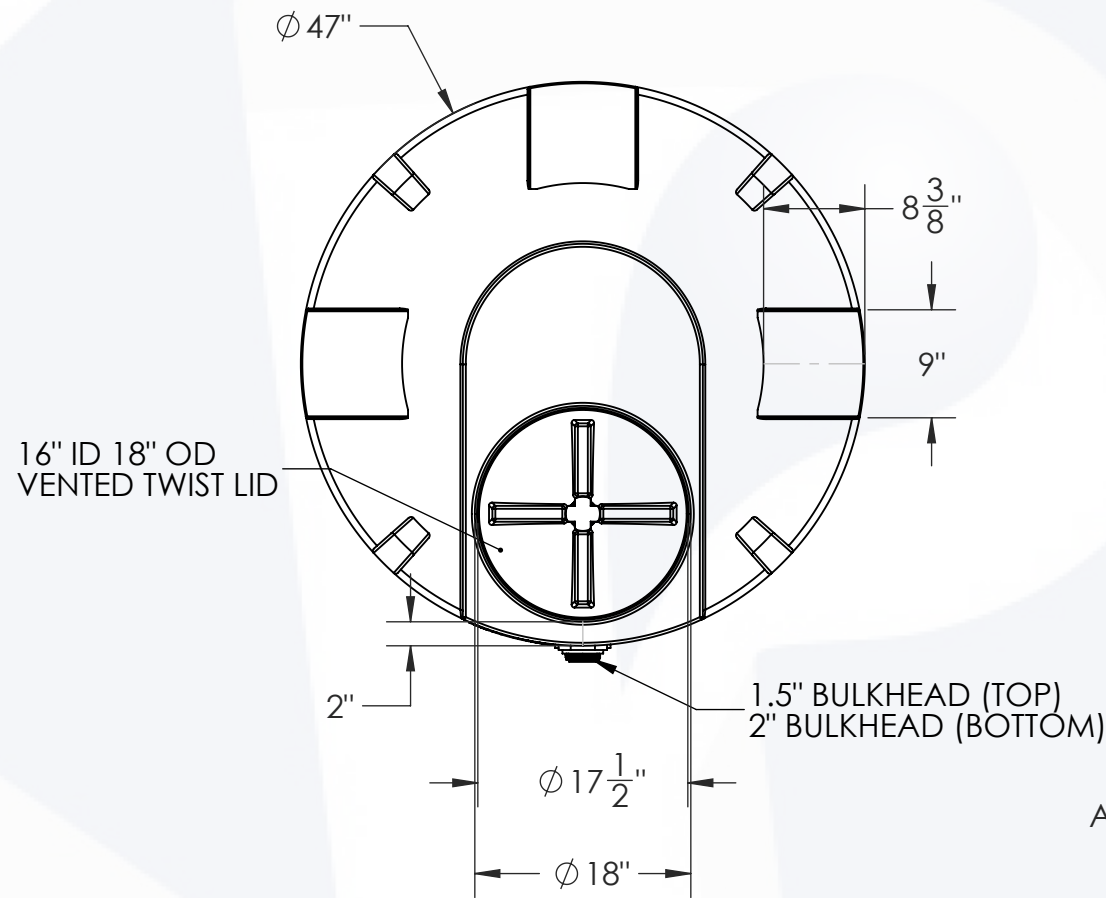


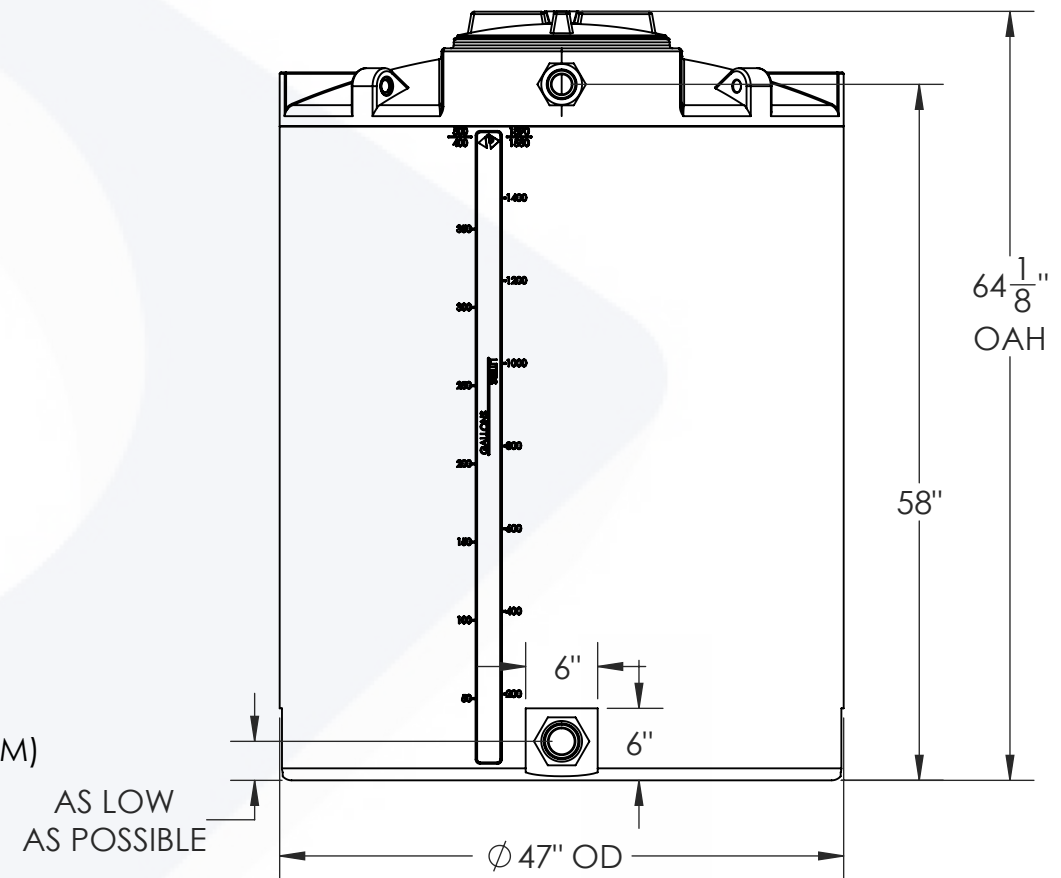
400 GAL PROCHEM POTABLE WATER, Ø47" x 64"	PART NUMBER			
	POTABLE WATER (NATURAL)	POTABLE WATER (BLACK)	POTABLE WATER (GREEN)	POTABLE WATER (DK GRAY)
LPE (1.0)	01-36304BH	01-36305BH	01-36306BH	01-36307BH
BLACKENED IN CALIBRATION	02-33923			
ALTERNATIVE MATERIALS, COLOR, AND ACCESSORIES ARE AVAILABLE. CALL FOR ADDITIONAL INFO				



**ISOMETRIC VIEW  
(ASSEMBLED)**




**PLAN VIEW**



**FRONT VIEW**

**NOTES:**  
1. CAPACITY: SIDEWALL 400 GAL. NOMINAL UP TO LID 425 GAL. NOMINAL

**PROPRIETARY AND CONFIDENTIAL**  
THE INFORMATION CONTAINED IN THIS DRAWING IS THE SOLE PROPERTY OF PEABODY ENGINEERING. ANY REPRODUCTION IN PART OR AS A WHOLE WITHOUT THE WRITTEN PERMISSION OF PEABODY ENGINEERING IS PROHIBITED.

UNLESS OTHERWISE SPECIFIED:		NAME	DATE	 PROJECT: 400 GAL POTABLE WATER Ø47" x 64" CUSTOMER: PEABODY STANDARD SITE/LOCATION: - DRAWING#: SEE TABLE SIZE B DESC. 400 GAL POTABLE WATER Ø47" x 62" REV. A1 SCALE: 1:16 SHEET 1 OF 1
DIMENSIONS ARE IN INCHES		DRAWN	JO 9/24/24	
TOLERANCES: ±1/4"		CHECKED		
ANGULAR: ±.5°		ENG APPR.		
ONE PLACE DECIMAL: ±.25		MFG APPR.		
TWO PLACE DECIMAL: ±.125		Q.A.		
THREE PLACE DECIMAL: ±.063		<b>ALTERNATIVE VERSIONS</b>		
TANK MATERIAL: LLDPE				
INNER TANK S/N:				
OUTER TANK S/N:				
CUSTOMER PO#				
DO NOT SCALE DRAWING				