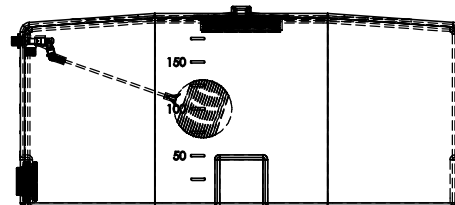
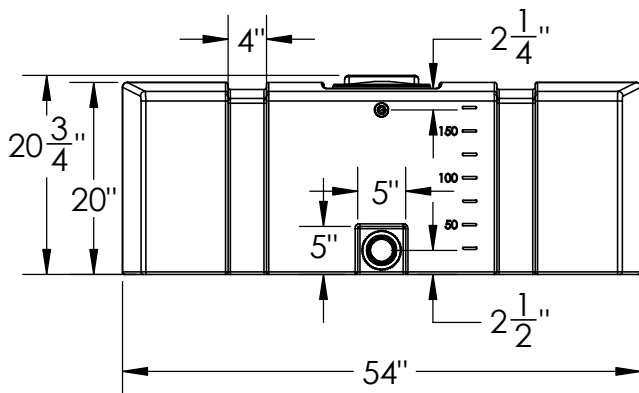
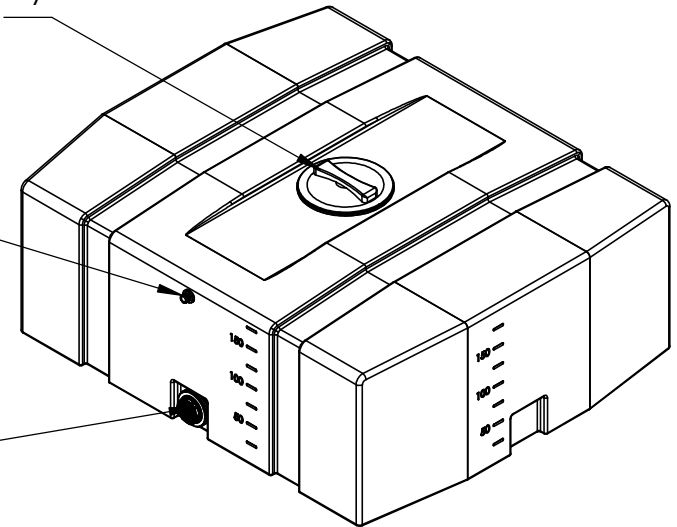


8" Tank Lid & Ring Assembly
#970228

3/4" MPT Tank Mount
PVC Float Valve
#23143

2" Bulkhead
PP Fitting
#970211



175 Gal Low Profile Tank
with 8" Lid, 2" Side Fitting
& 3/4" Float Valve



1390 Neubrecht Road
Lima, Ohio 45801

STOCK NO.

27832

REV
A

DO NOT SCALE DRAWING

WEIGHT: 77 lbs.

PROPRIETARY AND CONFIDENTIAL

THE INFORMATION CONTAINED IN THIS DRAWING IS THE SOLE PROPERTY OF TAMCO. ANY REPRODUCTION IN PART OR AS A WHOLE WITHOUT THE WRITTEN PERMISSION OF TAMCO IS PROHIBITED.

MAX. OPERATING TEMP. 140°F
INTERMITTENT SERVICE TO 160°F
SEE CHEMICAL RESISTANCE
CHART FOR COMPATIBILITY

DIMENSIONS ARE IN INCHES
TOLERANCE: ± 1/4"

MATERIAL
LLDPE - FDA resin

CAPACITY
175 US Gal.

GRADUATIONS
25 Gal.

NOMINAL WALL THICKNESS
1/4"

| | NAME | DATE |
|----------|------|---------|
| DRAWN | NJV | 5/27/26 |
| REVISED | | |
| APPROVED | | |

COMMENTS:
Translucent
UV Stabilized