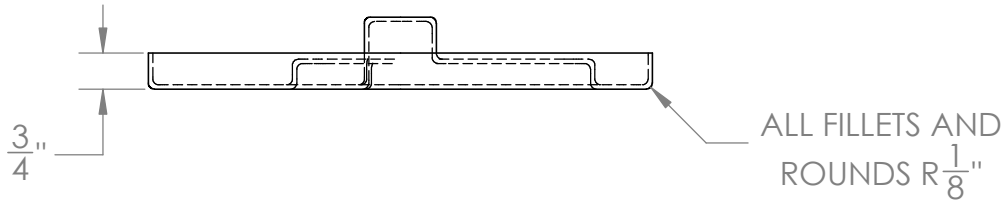
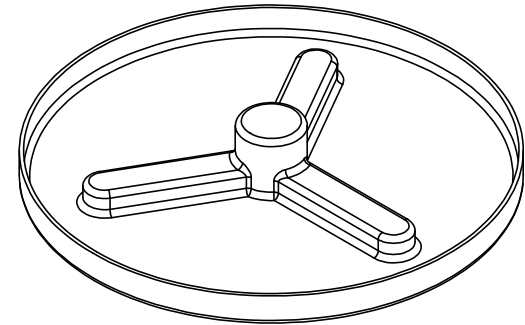


Catalog options:
Tanks #3001, #3056, #3061, #4150



Floating Cover for
5 Gallon Tanks
#3011



1390 Neubrecht Road
Lima, Ohio 45801

STOCK NO.	3011	REV	A
-----------	------	-----	---

DO NOT SCALE DRAWING

WEIGHT: .5 lbs.

DIMENSIONS ARE IN INCHES TOLERANCE: ± 1/4"		NAME	DATE
MATERIAL	LLDPE - FDA resin	DRAWN	CDH 06/23/16
		APPROVED	BAT 07/13/16
CAPACITY	N/A	COMMENTS: Translucent UV Stabilized	
GRADUATIONS	N/A		
NOMINAL WALL THICKNESS	0.07"		

PROPRIETARY AND CONFIDENTIAL
THE INFORMATION CONTAINED IN THIS DRAWING IS THE SOLE PROPERTY OF TAMCO. ANY REPRODUCTION IN PART OR AS A WHOLE WITHOUT THE WRITTEN PERMISSION OF TAMCO IS PROHIBITED.

MAX. OPERATING TEMP. 140°F
INTERMITTENT SERVICE TO 160°F
SEE CHEMICAL RESISTANCE
CHART FOR COMPATABILITY