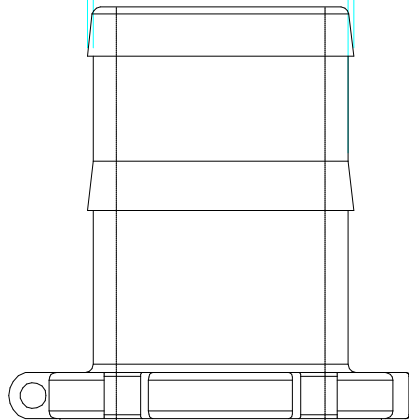
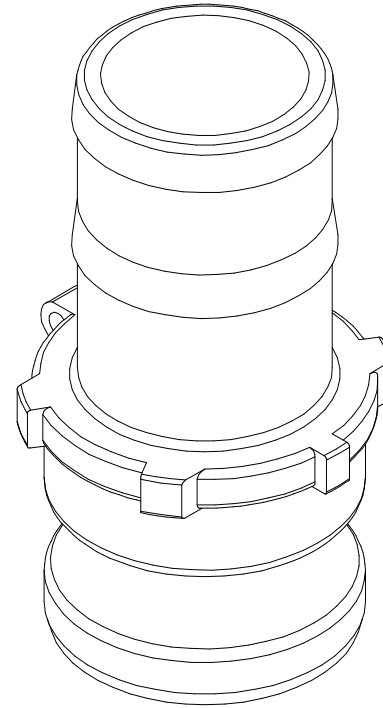


$\phi 2 \frac{1}{16}$
 $1 \frac{31}{32}$



$2 \frac{15}{32}$



BANJO CORPORATION
 150 BANJO DR. * CRAWFORDSVILLE, IN 47933

PART NO. 200E

TITLE 2" QDC x Hose Barb

THIS DRAWING AND ALL INFORMATION
 CONTAINED THEREON ARE THE EXCLUSIVE
 PROPERTY OF BANJO CORPORATION.
 UNLESS SPECIFICALLY NOTED, THIS
 DRAWING AND ITEMS SHOWN ON THIS
 DRAWING ARE SUBJECT TO CHANGE
 AT ANY TIME.