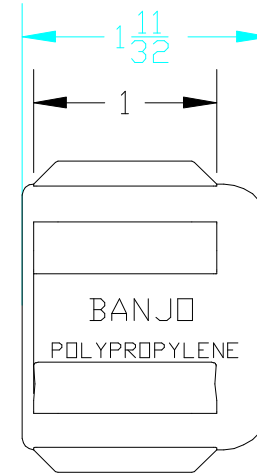
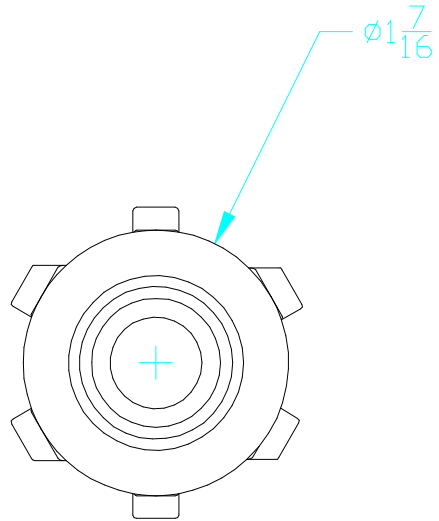


Item Qty.		Part Number	Description
1	1		



THIS DRAWING AND ALL INFORMATION CONTAINED THEREIN ARE THE EXCLUSIVE PROPERTY OF BANJO CORPORATION. UNLESS SPECIFICALLY NOTED, THIS DRAWING AND ITEMS SHOWN ON THIS DRAWING ARE SUBJECT TO CHANGE AT ANY TIME.

BANJO CORPORATION 150 BANJO DR. * CRAWFORDSVILLE, IN 47933	
PART NO.	CAP050
TITLE	1/2" Pipe Cap