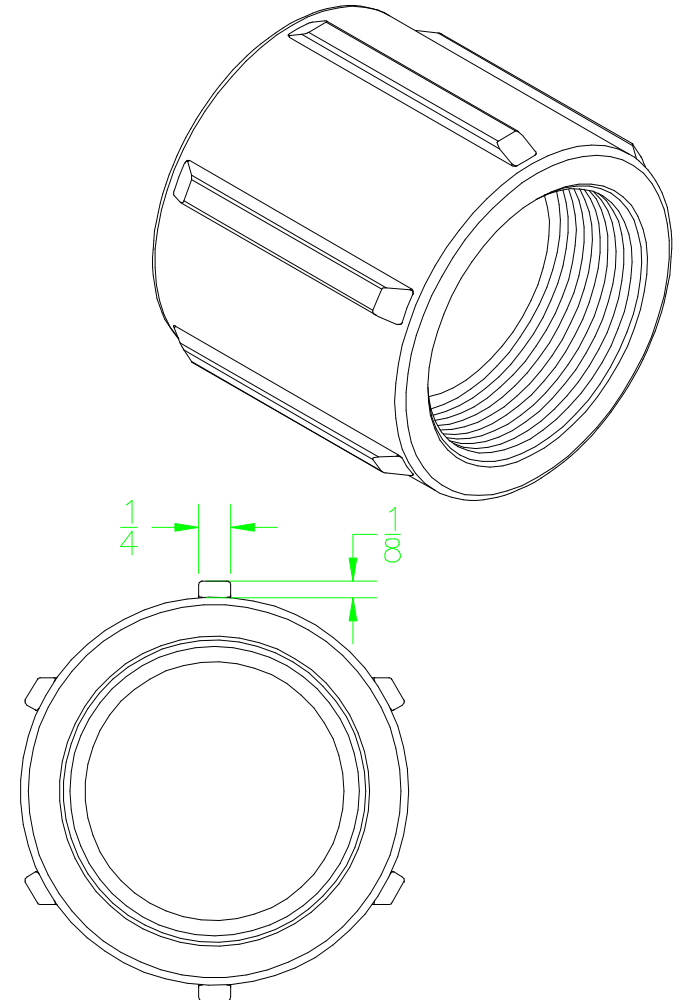
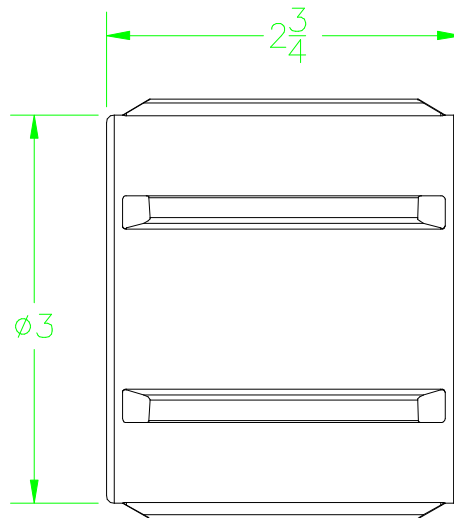
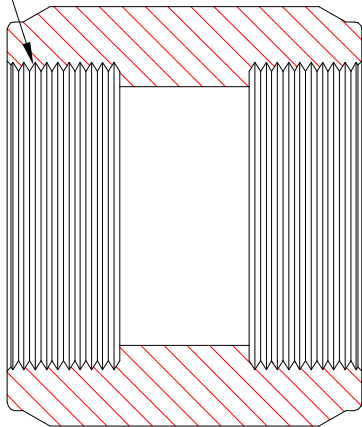


2" ANS BLUNT START
TAPERED PIPE THD



BANJO CORPORATION
150 BANJO DR. • CRAWFORDSVILLE, IN 47933

THIS DRAWING AND ALL INFORMATION
CONTAINED THEREON ARE THE EXCLUSIVE
PROPERTY OF BANJO CORPORATION.
UNLESS SPECIFICALLY NOTED, THIS
DRAWING AND ITEMS SHOWN ON THIS
DRAWING ARE SUBJECT TO CHANGE
AT ANY TIME.

PART NO.
CPLG200

TITLE
2" PIPE COUPLING