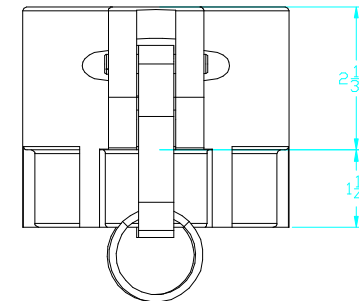
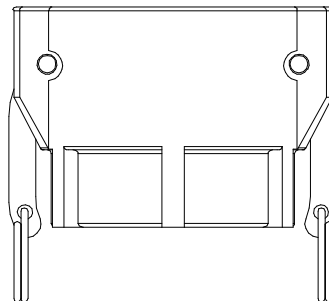
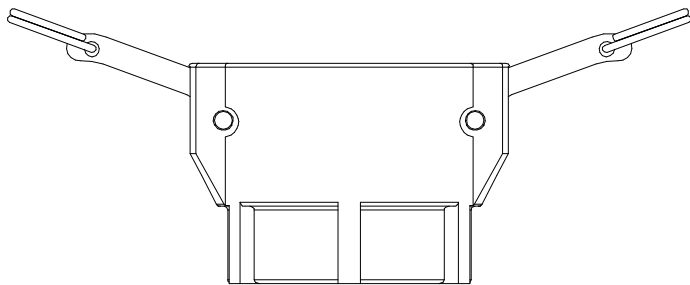
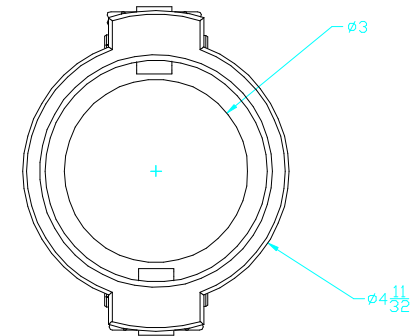


Parts List				
Item	Qty	Name	Description	Material
1	1	300XMD	3" FEMALE COUPLING x 3" FNPT, UNASSEMBLED	POLYPROPYLENE
2	1	300G	3" COUPLING GAKSET	EPDM
3	2	300P	3" PIN	18-8 SS
4	2	300K	3" CAM ARM	18-8 SS
5	1	150(200)D (not shown)	PRESSURE LABEL	N/A



BANJO CORPORATION
150 BANJO DR. * CRAWFORDSVILLE, IN 47933

PART NO. 300D

TITLE 3" Female Coupling x 3" FNPT

THIS DRAWING AND ALL INFORMATION CONTAINED THEREIN ARE THE EXCLUSIVE PROPERTY OF BANJO CORPORATION. UNLESS SPECIFICALLY NOTED, THIS DRAWING AND ITEMS SHOWN ON THIS DRAWING ARE SUBJECT TO CHANGE AT ANY TIME.