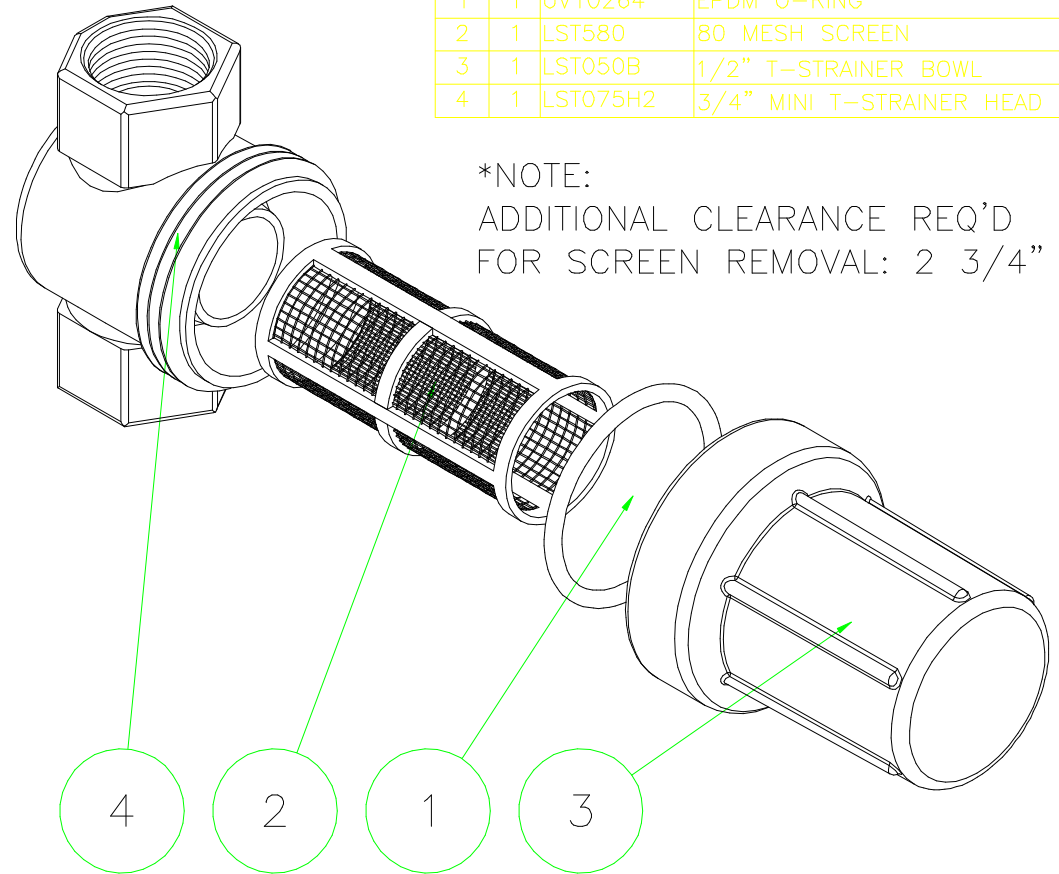


Parts List			
ITEM	QTY.	PART NO.	DESCRIPTION
1	1	UV10264	EPDM O-RING
2	1	LST580	80 MESH SCREEN
3	1	LST050B	1/2" T-STRAINER BOWL
4	1	LST075H2	3/4" MINI T-STRAINER HEAD

\*NOTE:  
ADDITIONAL CLEARANCE REQ'D  
FOR SCREEN REMOVAL: 2 3/4"



BANJO CORPORATION  
150 BANJO DR. • CRAWFORDSVILLE, IN 47933

PART NO.  
LSTM075-80

TITLE  
3/4" MINI T-STRAINER

THIS DRAWING AND ALL INFORMATION  
CONTAINED THEREON ARE THE EXCLUSIVE  
PROPERTY OF BANJO CORPORATION.  
UNLESS SPECIFICALLY NOTED, THIS  
DRAWING AND ITEMS SHOWN ON THIS  
DRAWING ARE SUBJECT TO CHANGE  
AT ANY TIME.