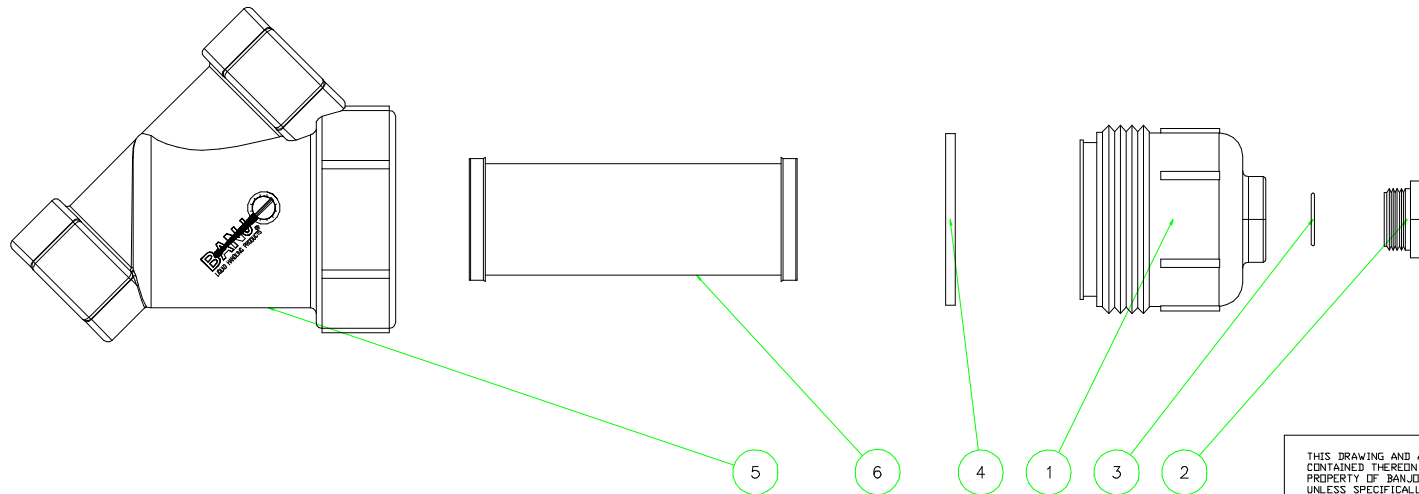
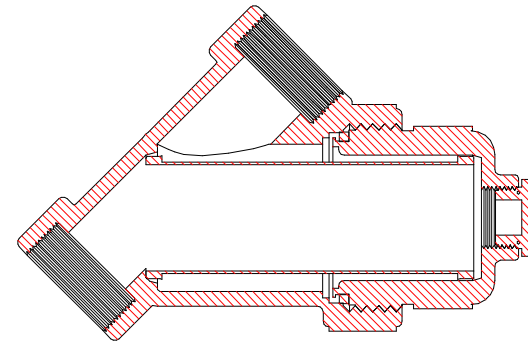
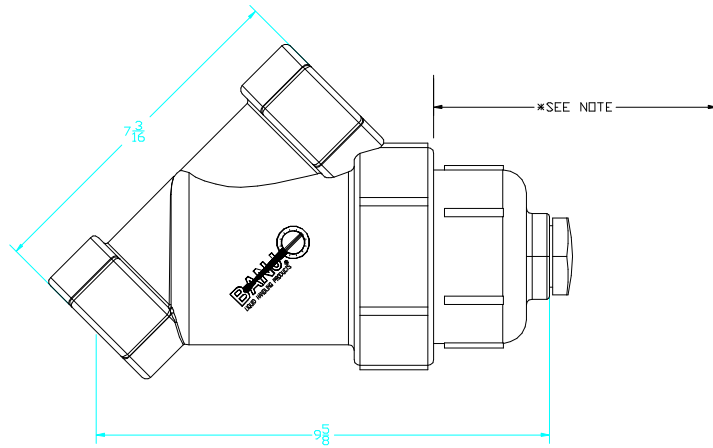
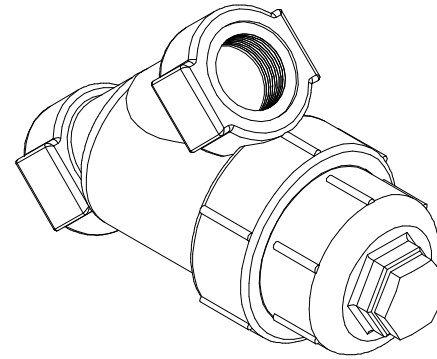



\*NOTE:  
 ADDITIONAL CLEARANCE REQ'D  
 FOR SCREEN REMOVAL: 7"

Parts List			
Item	Qty	Part No.	Description
1	1	LS150XC	LINESTRAINER CAP
2	1	LSQ200PL	DRAIN PLUG
3	1	LSQ200R1	PLUG GASKET
4	1	LS150G	LINE STRAINER GASKET
5	1	LS200B	LINE STRAINER BODY
6	1	LS212	LINE STRAINER SCREEN



	
<b>BANJO CORPORATION</b> 150 BANJO DR. * CRAWFORDSVILLE, IN 47933	
PART NO.	LS200-12
TITLE	
2" LINE STRAINER ASSEMBLY W/ #12 MESH SCREEN	

THIS DRAWING AND ALL INFORMATION CONTAINED THEREIN ARE THE EXCLUSIVE PROPERTY OF BANJO CORPORATION. UNLESS SPECIFICALLY NOTED, THIS DRAWING AND ITEMS SHOWN IN THIS DRAWING ARE SUBJECT TO CHANGE AT ANY TIME.