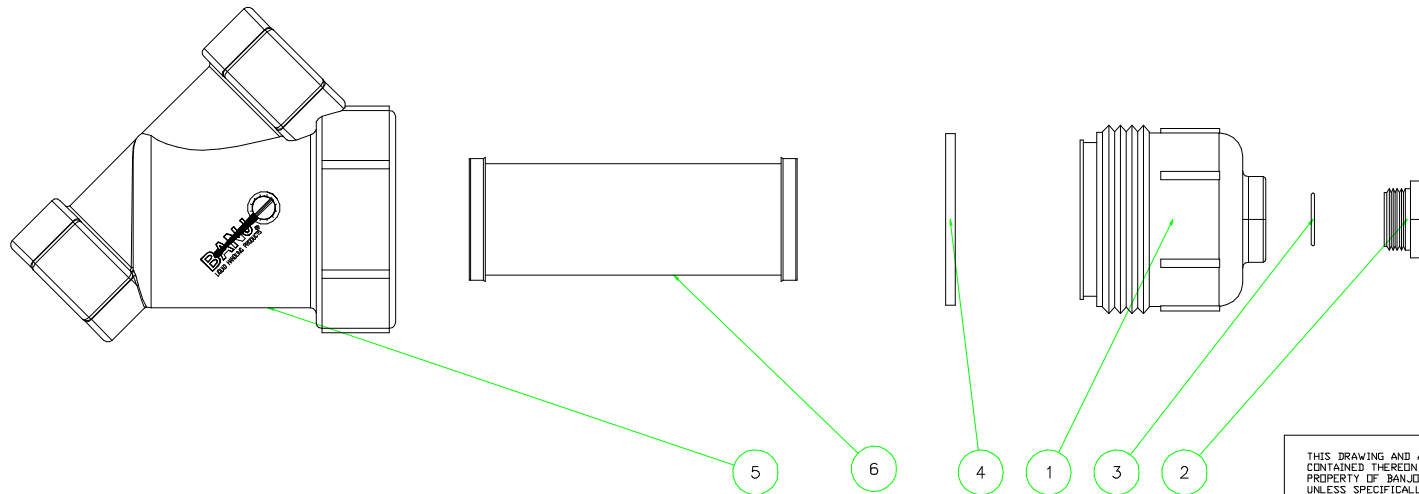
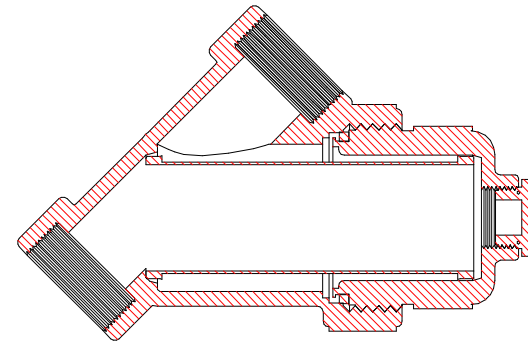
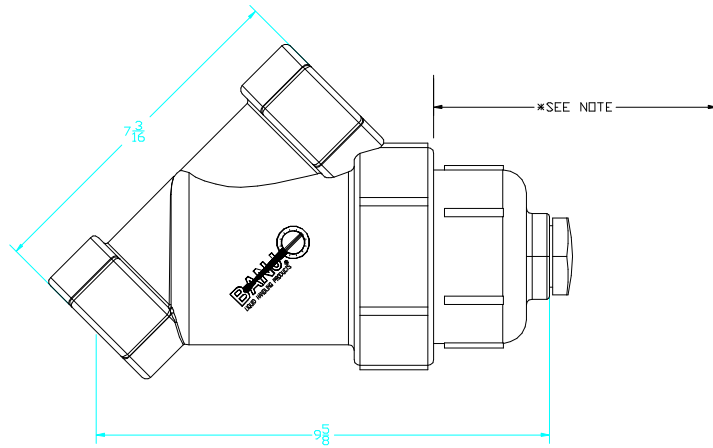
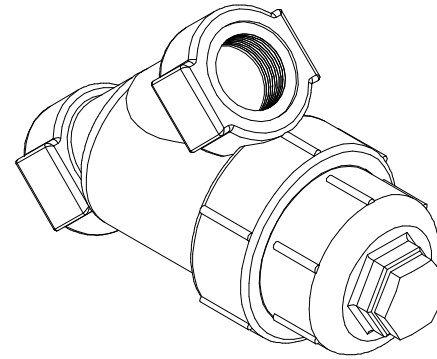


*NOTE:
 ADDITIONAL CLEARANCE REQ'D
 FOR SCREEN REMOVAL: 7"

Parts List			
Item	Qty	Part No.	Description
1	1	LS150XC	LINESTRAINER CAP
2	1	LSQ200PL	DRAIN PLUG
3	1	LSQ200R1	PLUG GASKET
4	1	LS150G	LINE STRAINER GASKET
5	1	LS200B	LINE STRAINER BODY
6	1	LS250	LINE STRAINER SCREEN



THIS DRAWING AND ALL INFORMATION
 CONTAINED THEREIN ARE THE EXCLUSIVE
 PROPERTY OF BANJO CORPORATION.
 UNLESS SPECIFICALLY NOTED, THIS
 DRAWING AND ITEMS SHOWN IN THIS
 DRAWING ARE SUBJECT TO CHANGE
 AT ANY TIME.

BANJO CORPORATION 150 BANJO DR. * CRAWFORDSVILLE, IN 47933	
PART NO.	LS200-50
TITLE	
2" LINE STRAINER ASSEMBLY W/ #50 MESH SCREEN	