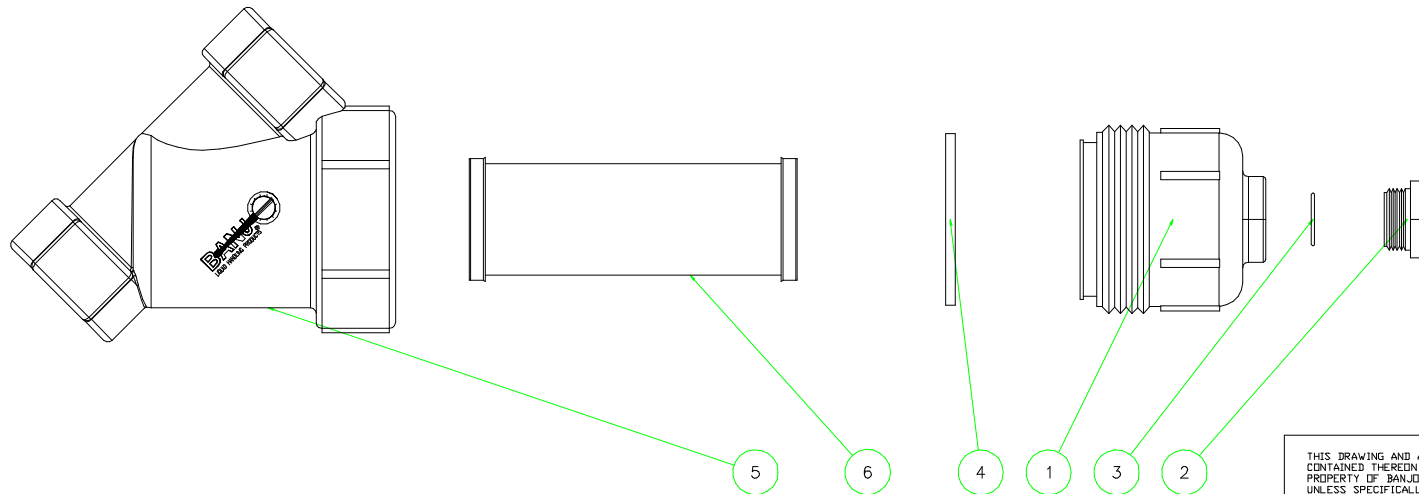
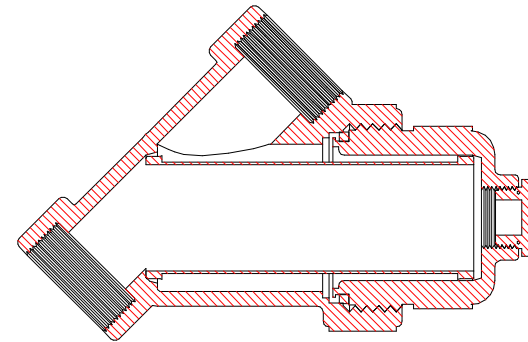
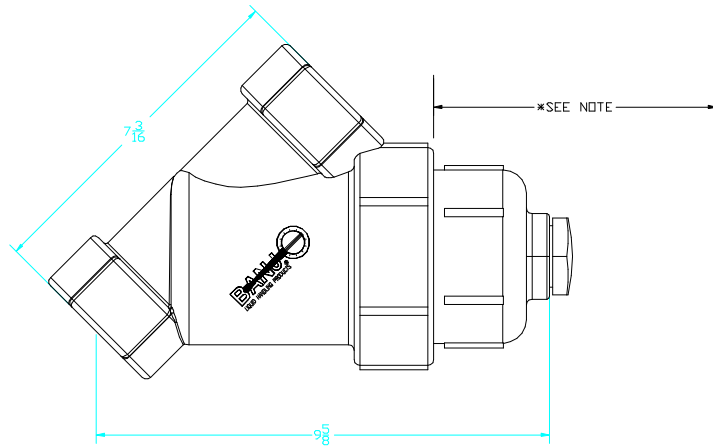
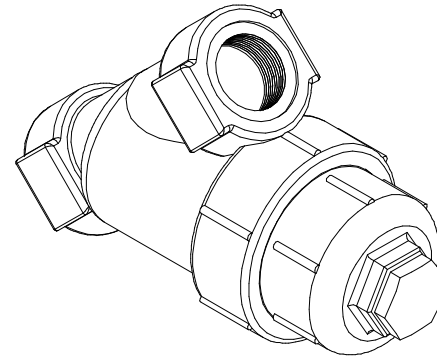



\*NOTE:  
 ADDITIONAL CLEARANCE REQ'D  
 FOR SCREEN REMOVAL: 7"

Parts List			
Item	Qty	Part No.	Description
1	1	LS150XC	LINESTRAINER CAP
2	1	LSQ200PL	DRAIN PLUG
3	1	LSQ200R1	PLUG GASKET
4	1	LS150G	LINE STRAINER GASKET
5	1	LS200B	LINE STRAINER BODY
6	1	LS280	LINE STRAINER SCREEN



THIS DRAWING AND ALL INFORMATION  
 CONTAINED THEREIN ARE THE EXCLUSIVE  
 PROPERTY OF BANJO CORPORATION.  
 UNLESS SPECIFICALLY NOTED, THIS  
 DRAWING AND ITEMS SHOWN IN THIS  
 DRAWING ARE SUBJECT TO CHANGE  
 AT ANY TIME.

	
<b>BANJO CORPORATION</b> 150 BANJO DR. * CRAWFORDSVILLE, IN 47933	
PART NO.	LS200-80
TITLE	
2" LINE STRAINER ASSEMBLY W/ #80 MESH SCREEN	