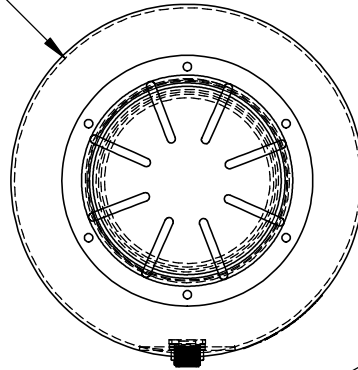
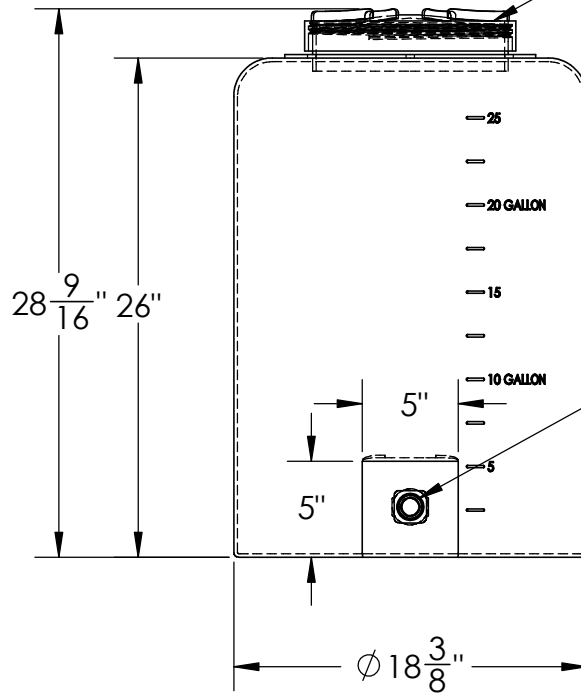


Ø 18" I.D.



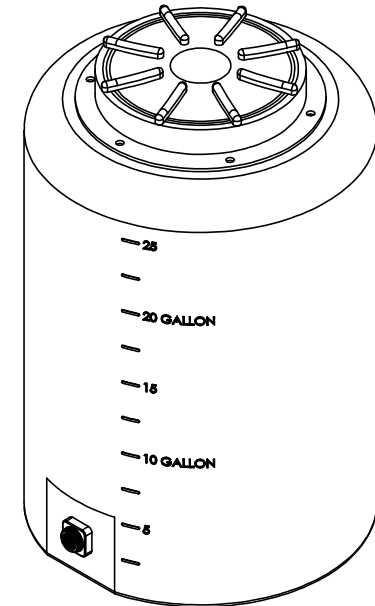
12" LID #970185

R2"



3/4" PP TANK FITTING #16802

R 1/4"



Tamco Vertical Closed Head Tank w/ 12" Lid #3566



1390 Neubrecht Road
Lima, Ohio 45801

STOCK NO.

3566

REV

A

DO NOT SCALE DRAWING

WEIGHT: 12.5 lbs.

DIMENSIONS ARE IN INCHES TOLERANCE: ± 1/4"		NAME	DATE
MATERIAL	LLDPE - FDA resin	DRAWN	CDH 11/17/16
CAPACITY	25 US gal.	APPROVED	BAT 11/17/16
GRADUATIONS	2-1/2 gal.	REVISIONS	ZAK 05/16/17
NOMINAL WALL THICKNESS	3/16"	COMMENTS: Black UV Stabilized	

PROPRIETARY AND CONFIDENTIAL
THE INFORMATION CONTAINED IN THIS DRAWING IS THE SOLE PROPERTY OF TAMCO. ANY REPRODUCTION IN PART OR AS A WHOLE WITHOUT THE WRITTEN PERMISSION OF TAMCO IS PROHIBITED.

MAX. OPERATING TEMP. 140°F
INTERMITTENT SERVICE TO 160°F
SEE CHEMICAL RESISTANCE CHART FOR COMPATABILITY