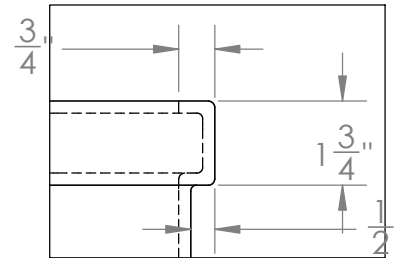
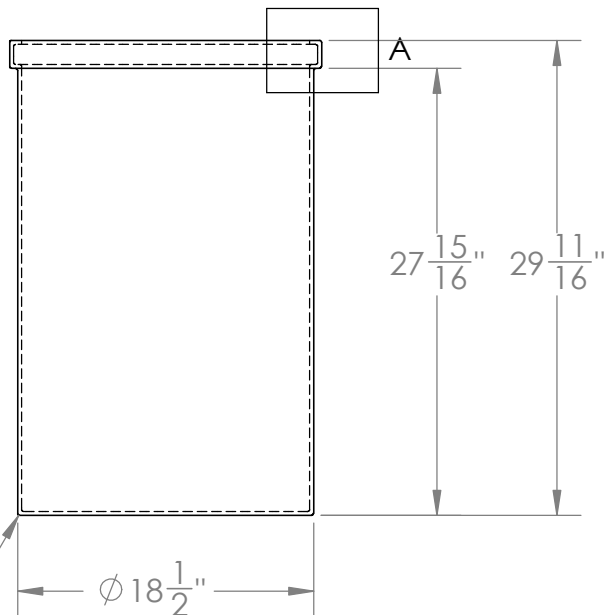
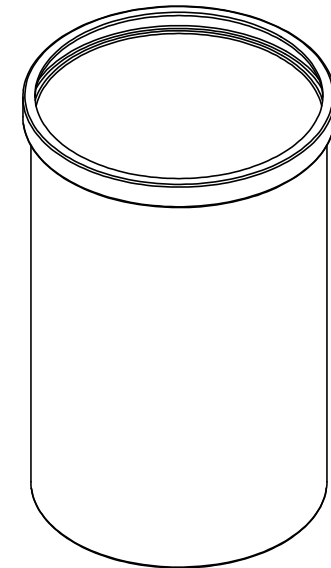


Catalog options:  
Cover #3021, Floating Cover #3014, Tank Stand #5061



DETAIL A



ALL FILLETS AND  
ROUNDS R $\frac{1}{8}$ "

Extra Heavy Wall  
Polyethylene Tank  
w/ External Flange #4152



1390 Neubrecht Road  
Lima, Ohio 45801

STOCK NO.

4152

REV

A

DO NOT SCALE DRAWING

WEIGHT: 13 lbs.

DIMENSIONS ARE IN INCHES  
TOLERANCE:  $\pm 1/4$ "

MATERIAL  
LLDPE - FDA resin

CAPACITY  
30 US gal.

GRADUATIONS  
2-1/2 gal.

NOMINAL WALL THICKNESS  
1/4"

	NAME	DATE
DRAWN	CDH	06/08/16
APPROVED	BAT	07/13/16

COMMENTS:

Translucent  
UV Stabilized

**PROPRIETARY AND CONFIDENTIAL**

THE INFORMATION CONTAINED IN THIS  
DRAWING IS THE SOLE PROPERTY OF  
TAMCO. ANY REPRODUCTION IN PART  
OR AS A WHOLE WITHOUT THE WRITTEN  
PERMISSION OF TAMCO IS PROHIBITED.

MAX. OPERATING TEMP. 140°F  
INTERMITTENT SERVICE TO 160°F  
SEE CHEMICAL RESISTANCE  
CHART FOR COMPATABILITY