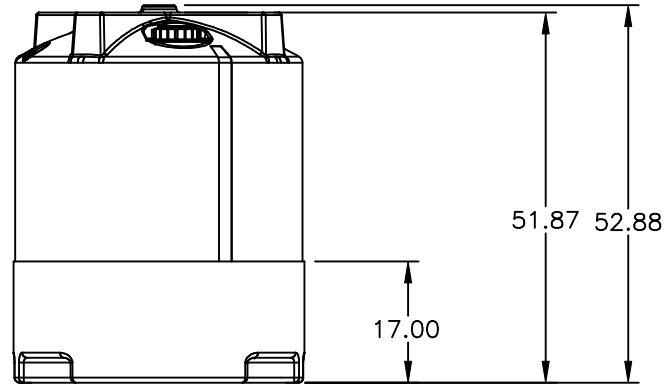
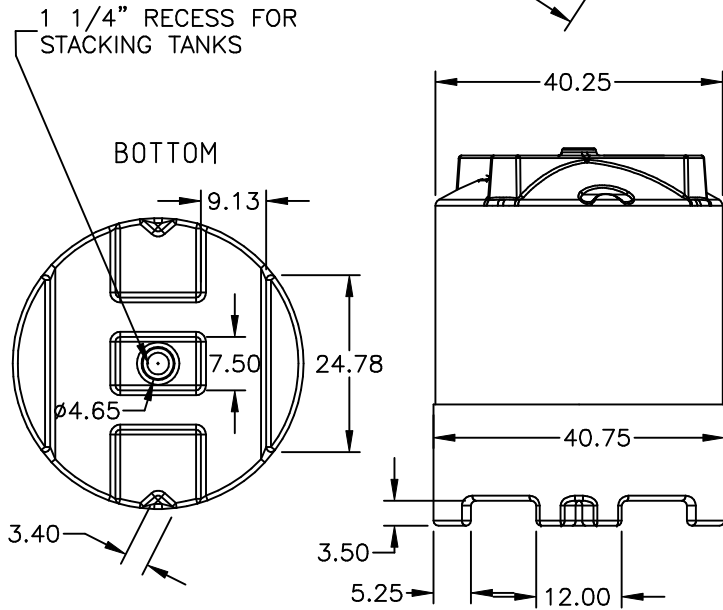
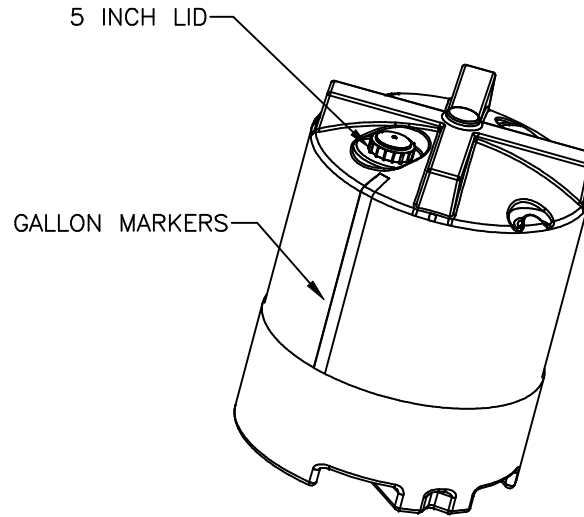
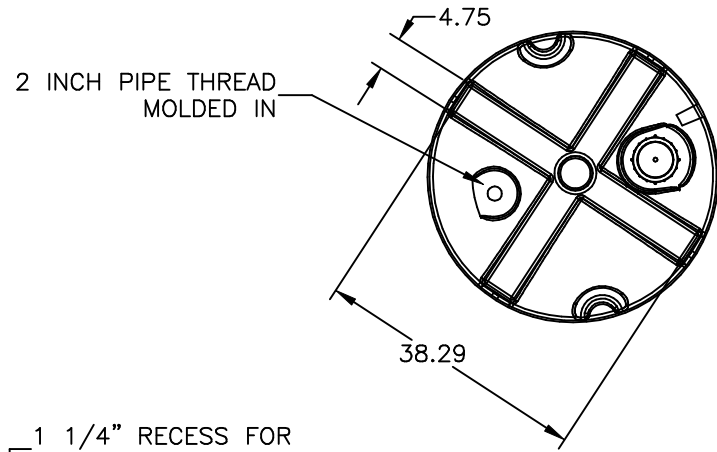


PROPRIETARY DATA

VT0210-PP

PROPERTY OF ACE ROTO-MOLD MFG., INC. INFORMATION FURNISHED HEREIN IS THE PROPERTY OF ACE ROTO-MOLD MFG., INC. AND SHALL NOT BE USED, DISCLOSED TO OTHERS, OR COPIED WITHOUT THE EXPRESSED WRITTEN CONSENT OF ACE ROTO-MOLD MFG., INC. ALL RIGHTS RESERVED.



DRAWN / DATE

NVE 6/28/05

MATERIAL

HDPE OR EQUIVALENT  
REFERENCE MATERIAL DATA SHEET  
FOR SPECIFIC PROPERTIES.

**Ace Roto-Mold**  
A DIVISION OF DEN HARTOG INDUSTRIES, INC.  
4018 HWY. 60 BLVD., BOX 421, HOSPERS, IOWA 51238

APPRD. / DATE

DHJ 9/21/05

CLIENT / DESCRIPTION

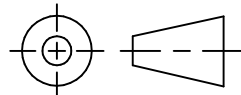
210 GALLON PALLET & TANK

REV DESCRIPTION DATE APPRD

THIRD ANGLE PROJECTION  
ANSI 14.5M

NOTES:

ALL DIMENSIONS ARE IN DECIMAL INCHES  
TOLERANCES UNLESS OTHERWISE SPECIFIED



1. WEIGHT 82 LBS.

SCALE N.S.

PART NO. VT0210-PP

± 1% @ 68° F