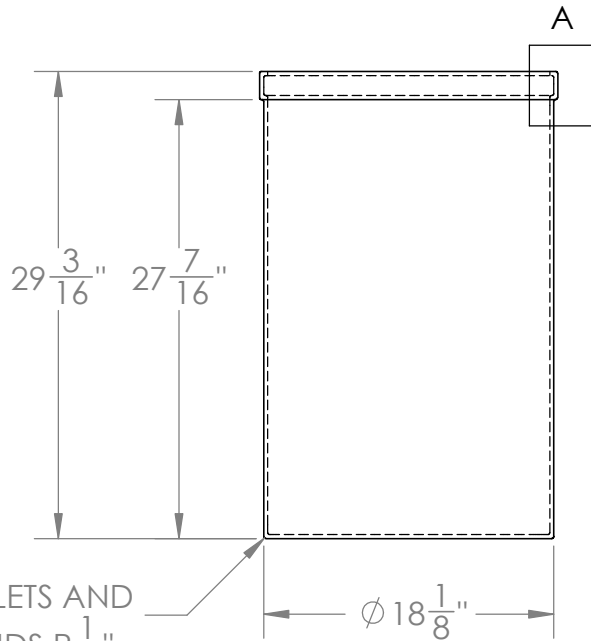
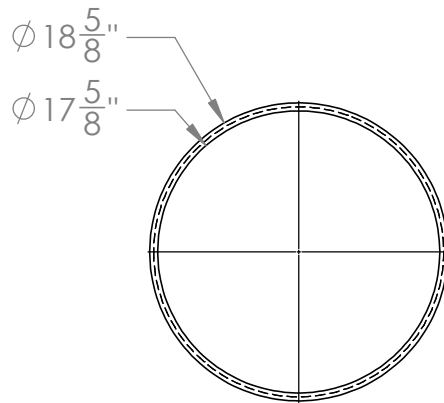
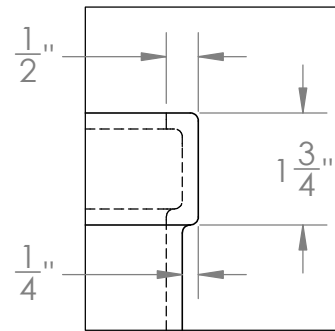


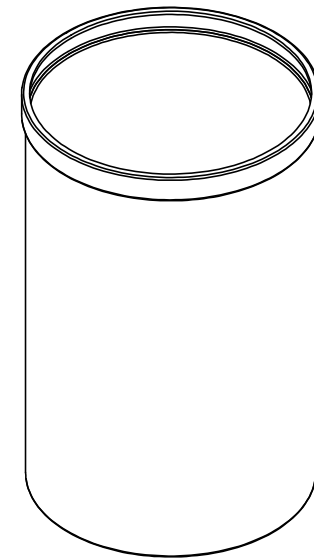
Catalog options:
 Black Cover #3022, Tank Stand #5061-Includes agitator column



ALL FILLETS AND
 ROUNDS $R \frac{1}{8}$ "



DETAIL A



Black Polyethylene
 Industrial Brine Tank
 #4298



1390 Neubrecht Road
 Lima, Ohio 45801

STOCK NO.

4298

REV

A

DO NOT SCALE DRAWING

WEIGHT: 10 lbs.

DIMENSIONS ARE IN INCHES
 TOLERANCE: $\pm 1/4$ "

MATERIAL
 LLDPE - FDA resin

CAPACITY
 30 US gal.

GRADUATIONS
 NO

NOMINAL WALL THICKNESS
 1/4"

	NAME	DATE
DRAWN	CDH	06/15/16
APPROVED	BAT	07/13/16

COMMENTS:

Black
 UV Stabilized

PROPRIETARY AND CONFIDENTIAL

THE INFORMATION CONTAINED IN THIS
 DRAWING IS THE SOLE PROPERTY OF
 TAMCO. ANY REPRODUCTION IN PART
 OR AS A WHOLE WITHOUT THE WRITTEN
 PERMISSION OF TAMCO IS PROHIBITED.

MAX. OPERATING TEMP. 140°F
 INTERMITTENT SERVICE TO 160°F
 SEE CHEMICAL RESISTANCE
 CHART FOR COMPATABILITY