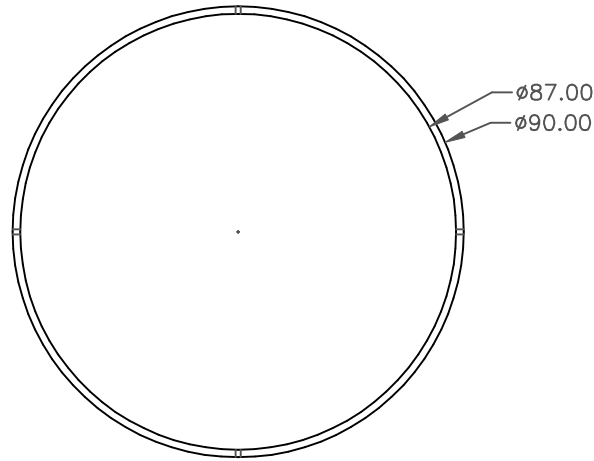


PROPRIETARY DATA

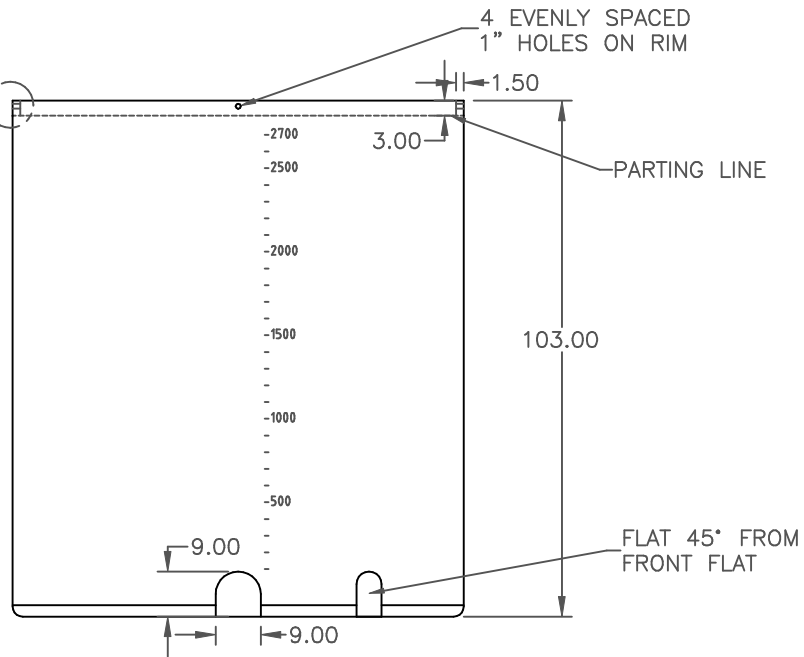
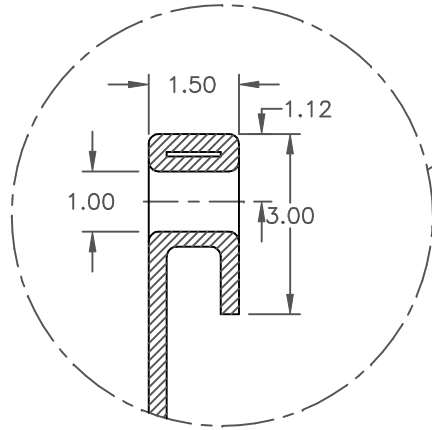
PROPERTY OF ACE ROTO-MOLD MFG., INC. INFORMATION FURNISHED HEREIN IS THE PROPERTY OF ACE ROTO-MOLD MFG., INC. AND SHALL NOT BE USED, DISCLOSED TO OTHERS, OR COPIED WITHOUT THE EXPRESSED WRITTEN CONSENT OF ACE ROTO-MOLD MFG., INC. ALL RIGHTS RESERVED.

OP2700-90

A



DETAIL OF RIM (A)



					DRAWN / DATE NVE 6/13/05	MATERIAL HDPE OR EQUIVALENT REFERENCE MATERIAL DATA SHEET FOR SPECIFIC PROPERTIES.
A	CLARIFY THROUGH HOLE	4/8/08	DHJ	1643	APPRD. / DATE DHJ 6/22/05	
REV	DESCRIPTION	DATE	APPRD	CCN		
ALL DIMENSIONS ARE IN DECIMAL INCHES TOLERANCES UNLESS OTHERWISE SPECIFIED \pm 1% @ 68° F					THIRD ANGLE PROJECTION ANSI 14.5M 	NOTES: 1. .490 WALL THICKNESS AT FLAT 2. WHITE OR COLOR 3. SHOT WEIGHT 480 LBS. 4. SHIP WEIGHT 480 LBS.

ACE ROTO-MOLD
 A DIVISION OF DEN HARTOG INDUSTRIES, INC.
 4018 HOSPERS DRIVE SOUTH, BOX 421, HOSPERS, IOWA 51238

CLIENT / DESCRIPTION 2700 GALLON OPEN TOP TANK	
SCALE N.S.	PART NO. OP2700-90