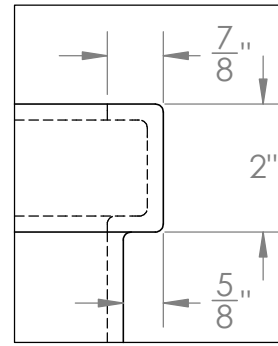
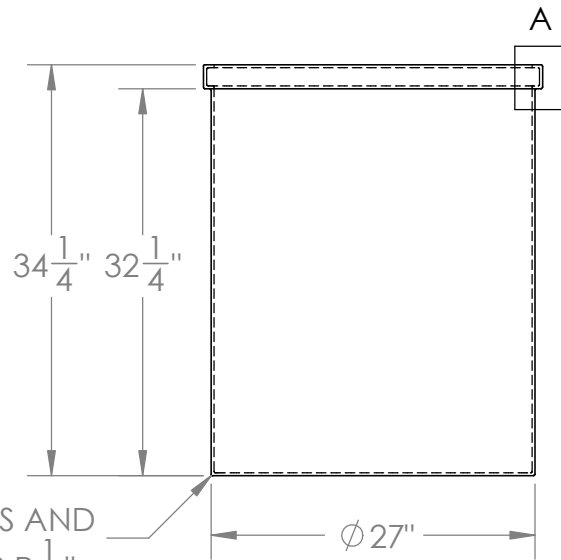
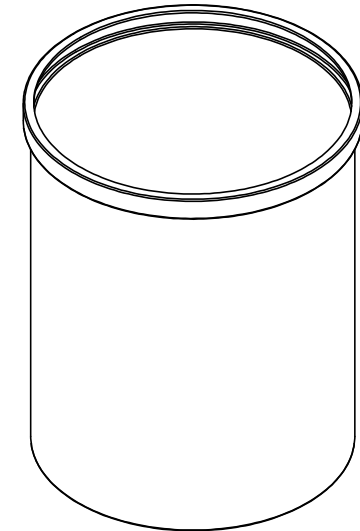


Catalog options:
Cover #4205, Tank Stand #5063-Includes agitator support column



DETAIL A



ALL FILLETS AND
ROUNDS $R \frac{1}{8}$ "

Heavy Duty Graduated
Polyethylene Tank
w/ External Flange #4892



1390 Neubrecht Road
Lima, Ohio 45801

DIMENSIONS ARE IN INCHES TOLERANCE: $\pm 1/4$ "		NAME	DATE
MATERIAL	LLDPE - FDA resin	DRAWN	NJV 05/30/23
CAPACITY	85 US gal.	APPROVED	BAT 07/13/16
GRADUATIONS	YES	COMMENTS: Black Opaque UV Stabilized	
NOMINAL WALL THICKNESS	1/4"		

STOCK NO.	4892	REV	A
DO NOT SCALE DRAWING		WEIGHT: 30 lbs.	

PROPRIETARY AND CONFIDENTIAL

THE INFORMATION CONTAINED IN THIS DRAWING IS THE SOLE PROPERTY OF TAMCO. ANY REPRODUCTION IN PART OR AS A WHOLE WITHOUT THE WRITTEN PERMISSION OF TAMCO IS PROHIBITED.

MAX. OPERATING TEMP. 140°F
INTERMITTENT SERVICE TO 160°F
SEE CHEMICAL RESISTANCE
CHART FOR COMPATABILITY