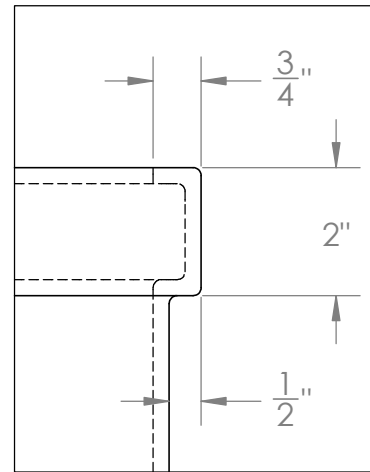
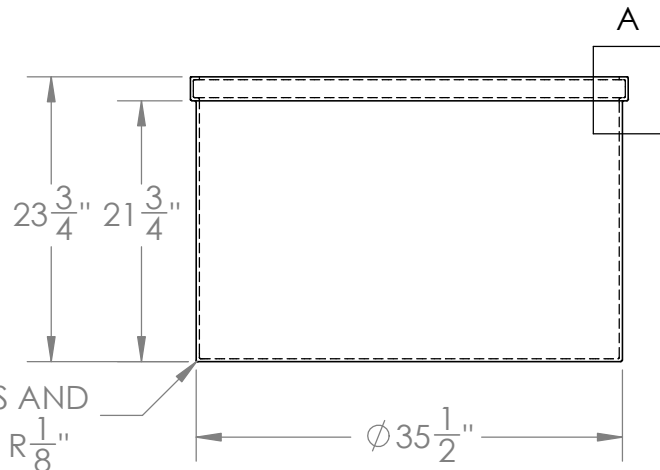
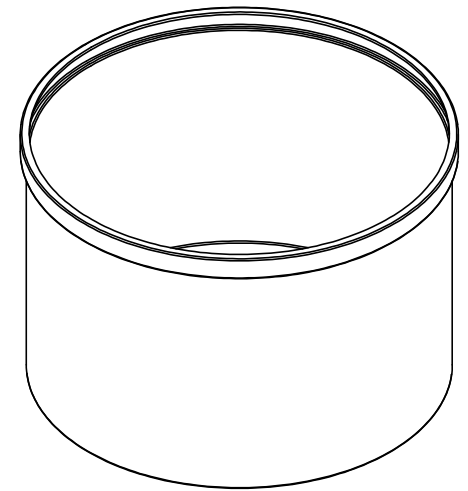


Catalog options:
Cover #4214, Tank Stand #5065-Includes agitator support column



DETAIL A



ALL FILLETS AND
ROUNDS R $\frac{1}{8}$ "

Heavy Duty Graduated
Polyethylene Tank
w/ External Flange #4894



DIMENSIONS ARE IN INCHES TOLERANCE: $\pm 1/4$ "		NAME	DATE
MATERIAL	LLDPE - FDA resin	DRAWN	NJV 05/30/23
CAPACITY	105 US gal.	APPROVED	BAT 07/13/16
GRADUATIONS	YES	COMMENTS: Black Opaque UV Stabilized	
NOMINAL WALL THICKNESS	1/4"		

PROPRIETARY AND CONFIDENTIAL
THE INFORMATION CONTAINED IN THIS DRAWING IS THE SOLE PROPERTY OF TAMCO. ANY REPRODUCTION IN PART OR AS A WHOLE WITHOUT THE WRITTEN PERMISSION OF TAMCO IS PROHIBITED.

MAX. OPERATING TEMP. 140°F
INTERMITTENT SERVICE TO 160°F
SEE CHEMICAL RESISTANCE
CHART FOR COMPATABILITY

STOCK NO.	4894	REV	A
DO NOT SCALE DRAWING		WEIGHT: 36 lbs.	