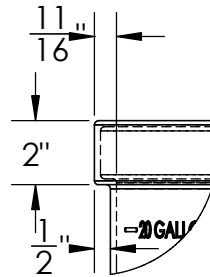
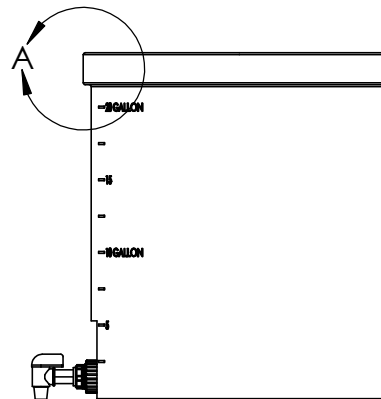
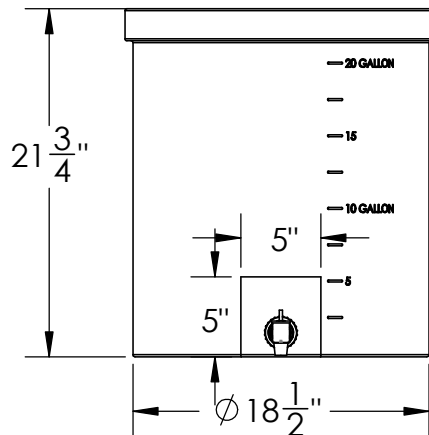
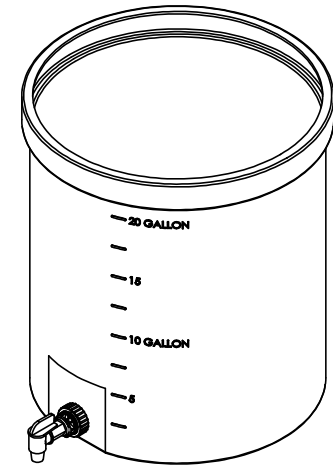


Catalog options:
Cover #3021, Floating Cover #3014, Tank Stand #5061



DETAIL A



Standard Weight Polyethylene
Storage Tank
w/ External Flange
w/ Spigot

TAMCO
INDUSTRIES
1390 Neubrecht Road
Lima, Ohio 45801

PROPRIETARY AND CONFIDENTIAL
THE INFORMATION CONTAINED IN THIS DRAWING IS THE SOLE PROPERTY OF TAMCO. ANY REPRODUCTION IN PART OR AS A WHOLE WITHOUT THE WRITTEN PERMISSION OF TAMCO IS PROHIBITED.

MAX. OPERATING TEMP. 140°F
INTERMITTENT SERVICE TO 160°F
SEE CHEMICAL RESISTANCE
CHART FOR COMPATIBILITY

DIMENSIONS ARE IN INCHES TOLERANCE: ± 1/4"		NAME	DATE
MATERIAL	LLDPE - FDA resin	DRAWN	NJV 6/7/23
CAPACITY	20 US gal.	APPROVED	
GRADUATIONS	2-1/2 gal.	COMMENTS: Translucent UV Stabilized	
NOMINAL WALL THICKNESS	3/16"		

STOCK NO.	4959	REV	A
DO NOT SCALE DRAWING		WEIGHT: 11 lbs.	