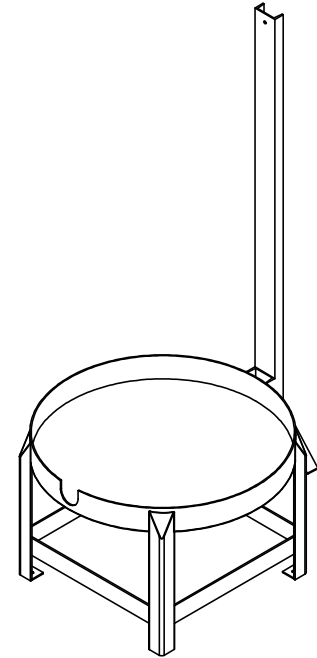
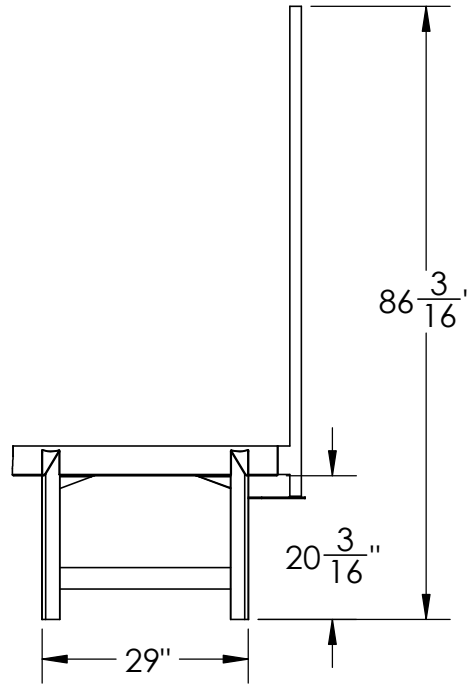
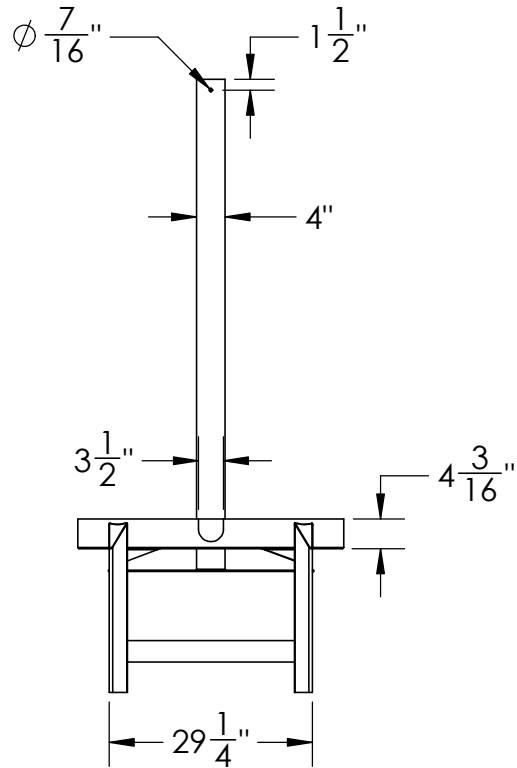


Stands have:

- Anchor plate at bottom of legs
- Gussets to support tank
- Column for agitator / mixer



Flat Bottom Tank Stand
#5065



1390 Neubrecht Road
Lima, Ohio 45801

STOCK NO.	5065	REV	A
DO NOT SCALE DRAWING		WEIGHT: 179 lbs.	

DIMENSIONS ARE IN INCHES TOLERANCE: ± 1/4"		NAME	DATE
MATERIAL	Steel	DRAWN	JMP 06/26/20
CAPACITY	N/A	APPROVED	
GRADUATIONS	N/A	COMMENTS:	
NOMINAL WALL THICKNESS	3/16"	Corrosion Resistant Blue Powder Coat Finish	

PROPRIETARY AND CONFIDENTIAL
THE INFORMATION CONTAINED IN THIS DRAWING IS THE SOLE PROPERTY OF TAMCO. ANY REPRODUCTION IN PART OR AS A WHOLE WITHOUT THE WRITTEN PERMISSION OF TAMCO IS PROHIBITED.

MAX. OPERATING TEMP. 140°F
INTERMITTENT SERVICE TO 160°F
SEE CHEMICAL RESISTANCE CHART FOR COMPATIBILITY