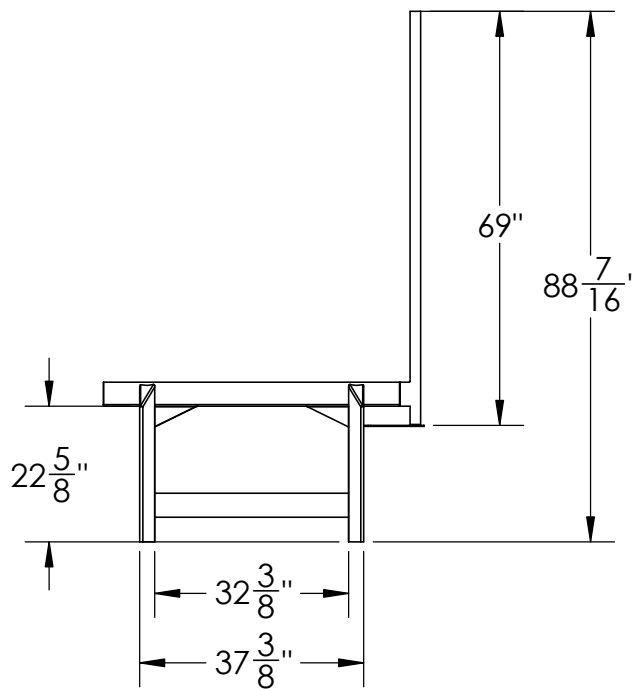
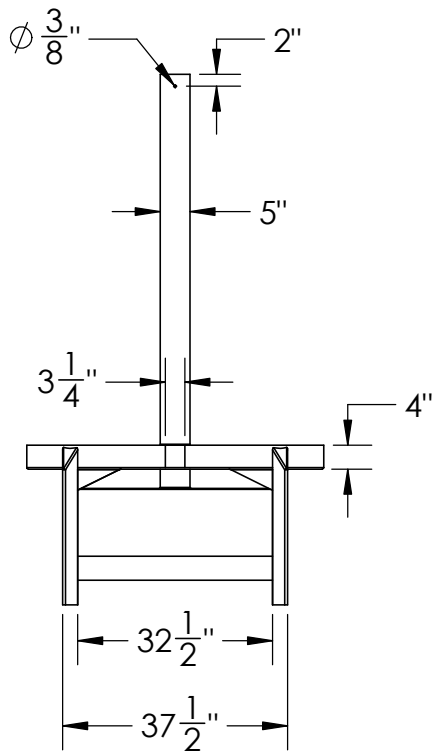
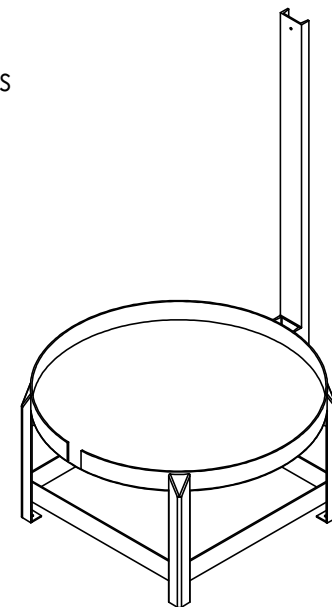


Stands have:

- Anchor plate at bottom of legs
- Gussets to support tank
- Column for agitator / mixer



Flat Bottom Tank Stand  
#5066



1390 Neubrecht Road  
Lima, Ohio 45801

STOCK NO.

5066

REV

A

DO NOT SCALE DRAWING

WEIGHT: 320 lbs.

**PROPRIETARY AND CONFIDENTIAL**

THE INFORMATION CONTAINED IN THIS DRAWING IS THE SOLE PROPERTY OF TAMCO. ANY REPRODUCTION IN PART OR AS A WHOLE WITHOUT THE WRITTEN PERMISSION OF TAMCO IS PROHIBITED.

MAX. OPERATING TEMP. 140°F  
INTERMITTENT SERVICE TO 160°F  
SEE CHEMICAL RESISTANCE  
CHART FOR COMPATABILITY

DIMENSIONS ARE IN INCHES  
TOLERANCE: ± 1/4"

MATERIAL  
Steel

CAPACITY  
N/A

GRADUATIONS  
N/A

NOMINAL WALL THICKNESS  
1/4"

	NAME	DATE
DRAWN	JMP	09/08/20
APPROVED		

COMMENTS:  
Corrosion Resistant  
Blue Powder Coat Finish