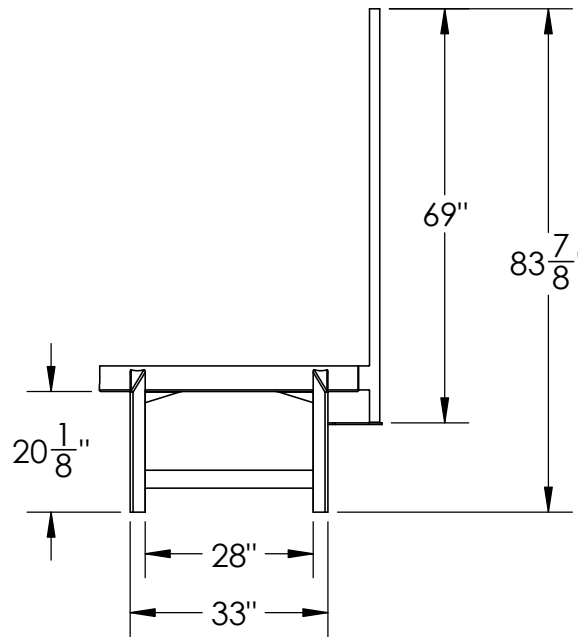
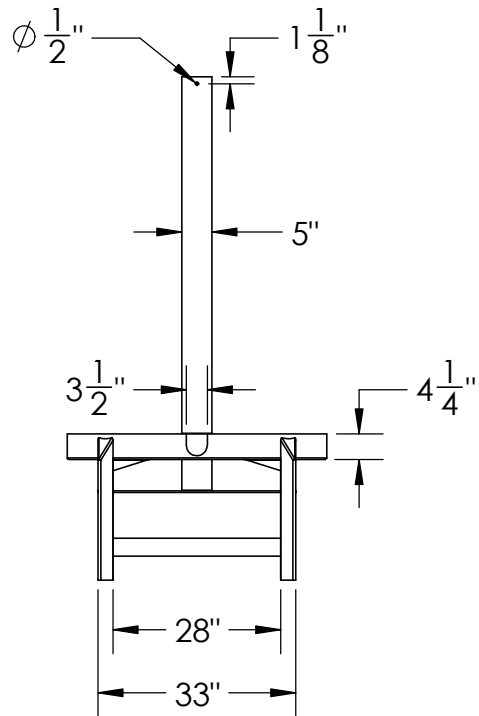
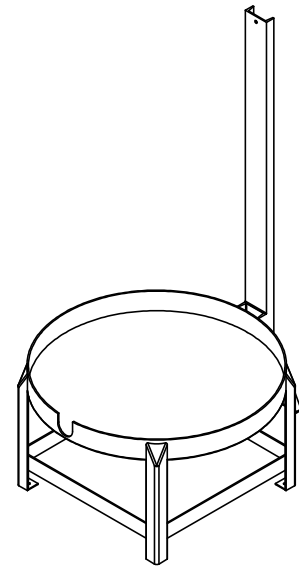


Stands have:

- Anchor plate at bottom of legs
- Gussets to support tank
- Column for agitator / mixer



Flat Bottom Tank Stand
#5068



1390 Neubrecht Road
Lima, Ohio 45801

STOCK NO.

5068

REV

A

DO NOT SCALE DRAWING

WEIGHT: 258 lbs.

PROPRIETARY AND CONFIDENTIAL

THE INFORMATION CONTAINED IN THIS DRAWING IS THE SOLE PROPERTY OF TAMCO. ANY REPRODUCTION IN PART OR AS A WHOLE WITHOUT THE WRITTEN PERMISSION OF TAMCO IS PROHIBITED.

MAX. OPERATING TEMP. 140°F
INTERMITTENT SERVICE TO 160°F
SEE CHEMICAL RESISTANCE CHART FOR COMPATABILITY

DIMENSIONS ARE IN INCHES
TOLERANCE: $\pm 1/4$ "

MATERIAL
Steel

CAPACITY
N/A

GRADUATIONS
N/A

NOMINAL WALL THICKNESS
1/4"

| | NAME | DATE |
|----------|------|----------|
| DRAWN | JMP | 09/09/20 |
| APPROVED | | |

COMMENTS:
Corrosion Resistant
Blue Powder Coat Finish