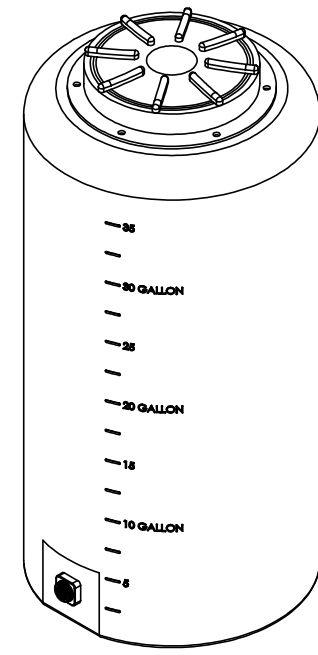
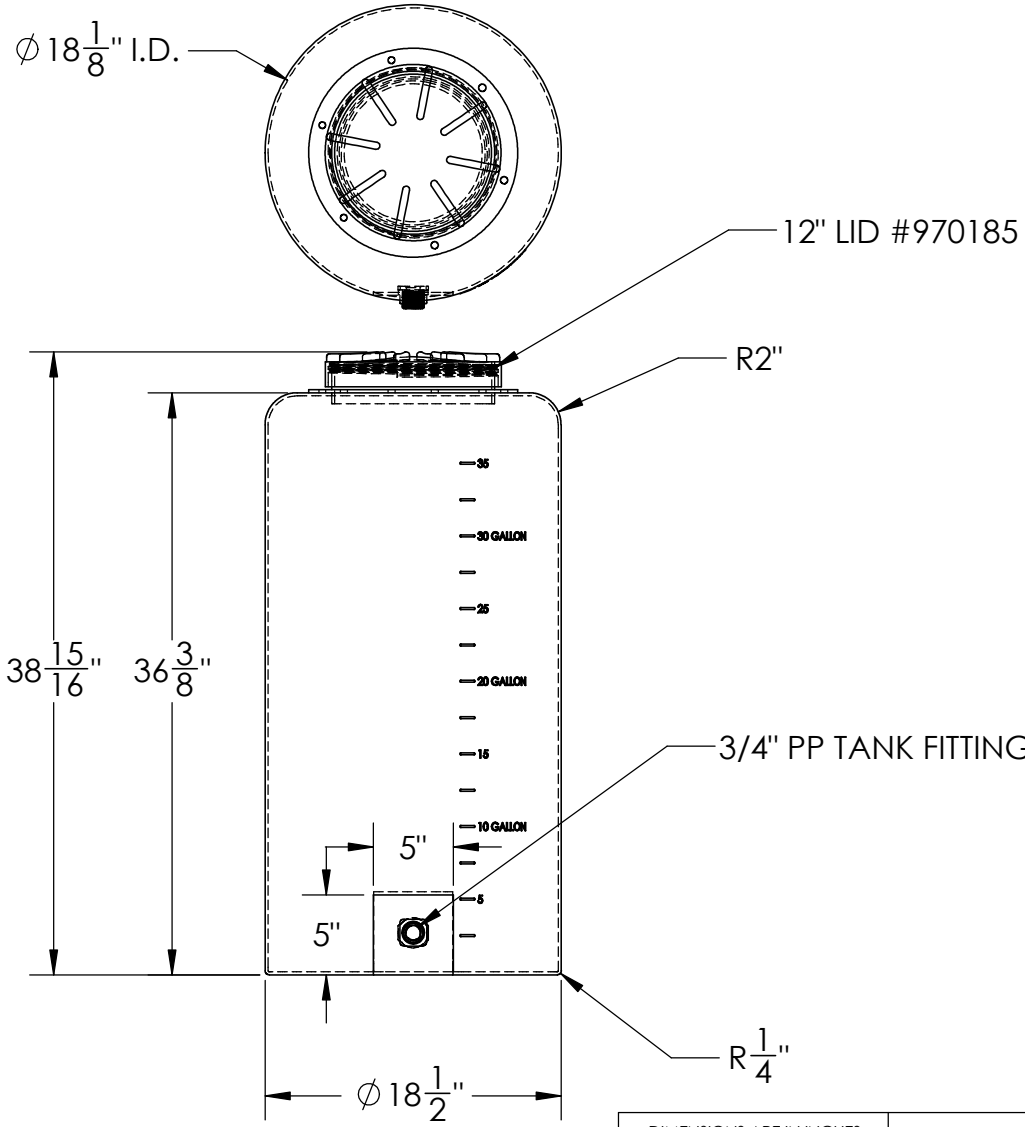


Catalog option:  
Tank Stand #5061



Tamco Vertical Closed Head Tank w/  
12" Lid #5168



DIMENSIONS ARE IN INCHES TOLERANCE: ± 1/4"		NAME	DATE
MATERIAL	LLDPE - FDA resin	DRAWN	CDH 11/17/16
CAPACITY	35 US gal.	APPROVED	BAT 11/17/16
GRADUATIONS	2-1/2 gal.	REVISED	JMP 9/21/18
NOMINAL WALL THICKNESS	3/16"	COMMENTS: Blue UV Stabilized	

**PROPRIETARY AND CONFIDENTIAL**  
THE INFORMATION CONTAINED IN THIS DRAWING IS THE SOLE PROPERTY OF TAMCO. ANY REPRODUCTION IN PART OR AS A WHOLE WITHOUT THE WRITTEN PERMISSION OF TAMCO IS PROHIBITED.

MAX. OPERATING TEMP. 140°F  
INTERMITTENT SERVICE TO 160°F  
SEE CHEMICAL RESISTANCE CHART FOR COMPATABILITY

STOCK NO.	5168	REV	A
DO NOT SCALE DRAWING		WEIGHT: 16 lbs.	