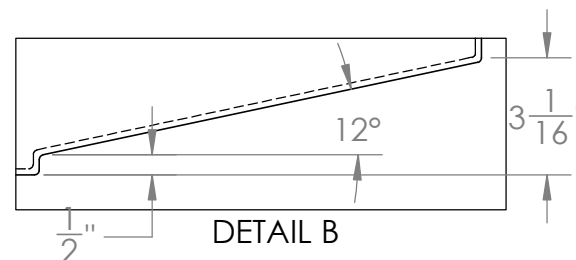
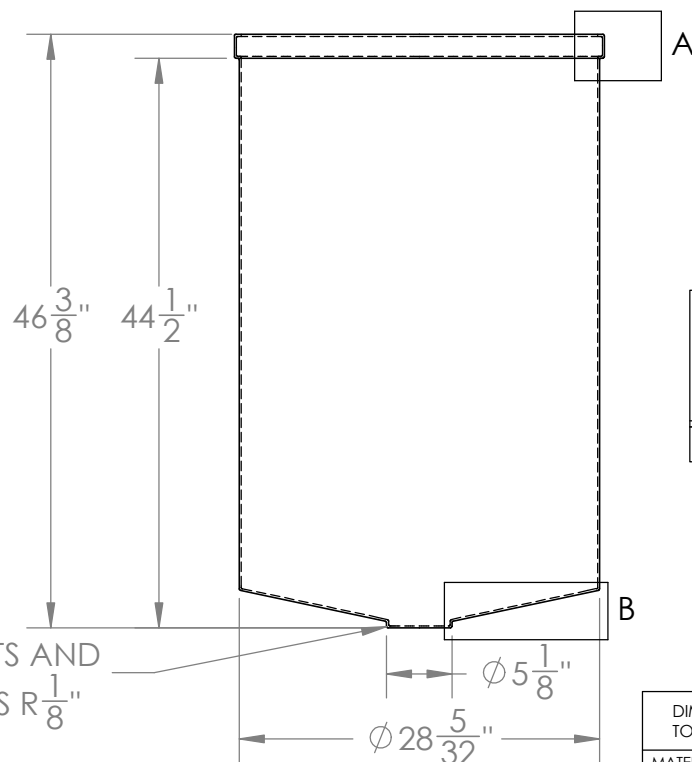
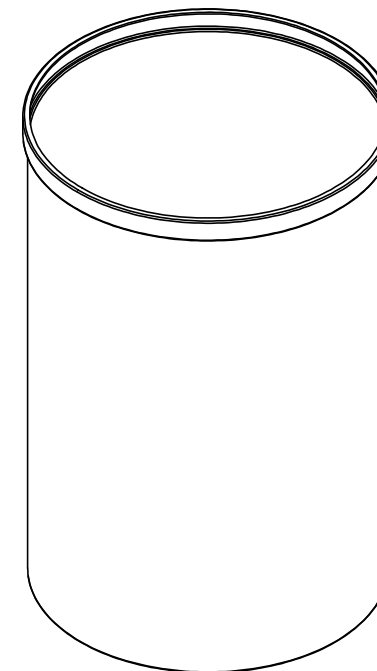
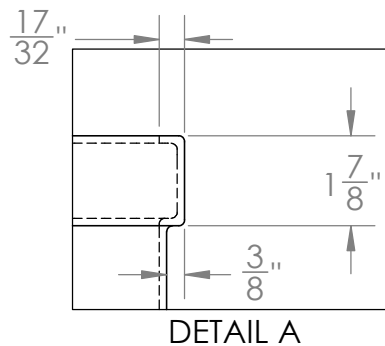


Catalog options:  
 Cover #4205, Tank Stand #5051  
 Full drainage fittings and other outlets also available.



ALL FILLETS AND  
 ROUNDS R $\frac{1}{8}$ "

Polyethylene Dome Bottom  
 Graduated Tank #5206



DIMENSIONS ARE IN INCHES TOLERANCE: $\pm 1/4$ "		NAME	DATE
MATERIAL	LLDPE - FDA resin	DRAWN	CDH 06/10/16
CAPACITY	107 US gal.	APPROVED	BAT 07/13/16
GRADUATIONS	5 gal.	COMMENTS:	
NOMINAL WALL THICKNESS	5/32"	Translucent UV Stabilized	

STOCK NO.	5206	REV	A
DO NOT SCALE DRAWING		WEIGHT: 34 lbs.	

**PROPRIETARY AND CONFIDENTIAL**  
 THE INFORMATION CONTAINED IN THIS  
 DRAWING IS THE SOLE PROPERTY OF  
 TAMCO. ANY REPRODUCTION IN PART  
 OR AS A WHOLE WITHOUT THE WRITTEN  
 PERMISSION OF TAMCO IS PROHIBITED.

MAX. OPERATING TEMP. 140°F  
 INTERMITTENT SERVICE TO 160°F  
 SEE CHEMICAL RESISTANCE  
 CHART FOR COMPATABILITY