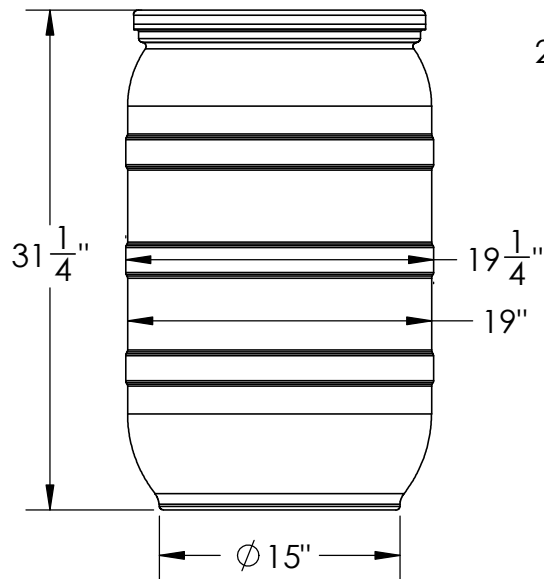
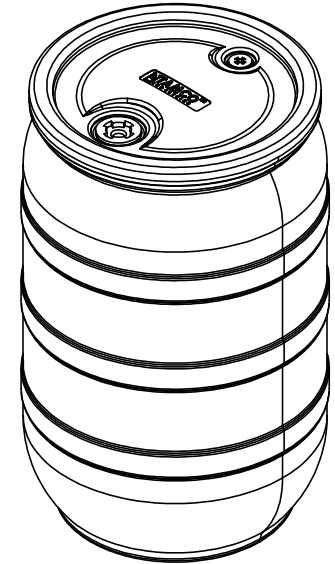
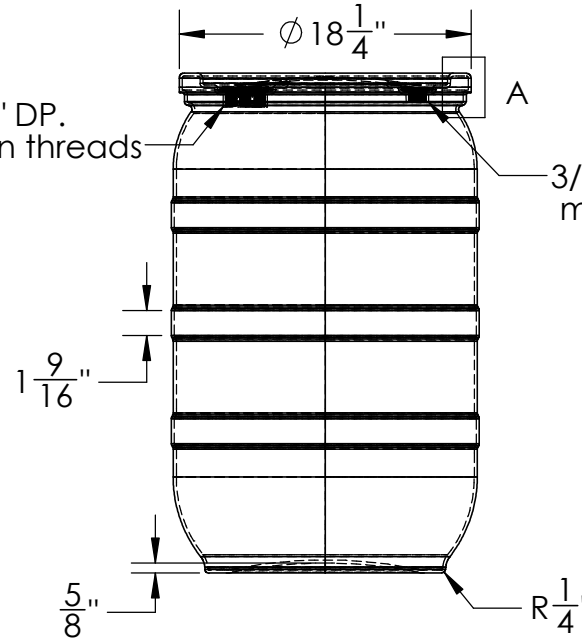


DETAIL A



2" NPS x 1" DP.
molded in threads



3/4" NPS x 3/4" DP.
molded in threads

30 Gallon Closed Head Drum



1390 Neubrecht Road
Lima, Ohio 45801

STOCK NO. 5343, 5345, 5348,
5349, 5350, 5351

REV
A

DO NOT SCALE DRAWING

WEIGHT: 16 lbs.

DIMENSIONS ARE IN INCHES TOLERANCE: $\pm 1/4"$		NAME	DATE
MATERIAL	LLDPE - FDA resin	DRAWN	JMP 7/1/19
CAPACITY	30 Gallon	APPROVED	
GRADUATIONS	N/A	REVISIONS	
NOMINAL WALL THICKNESS	3/16"	COMMENTS: Black , Blue , Red Yellow, Natural, Green UV Stabilized	

PROPRIETARY AND CONFIDENTIAL
THE INFORMATION CONTAINED IN THIS DRAWING IS THE SOLE PROPERTY OF TAMCO. ANY REPRODUCTION IN PART OR AS A WHOLE WITHOUT THE WRITTEN PERMISSION OF TAMCO IS PROHIBITED.

MAX. OPERATING TEMP. 140°F
INTERMITTENT SERVICE TO 160°F
SEE CHEMICAL RESISTANCE
CHART FOR COMPATABILITY