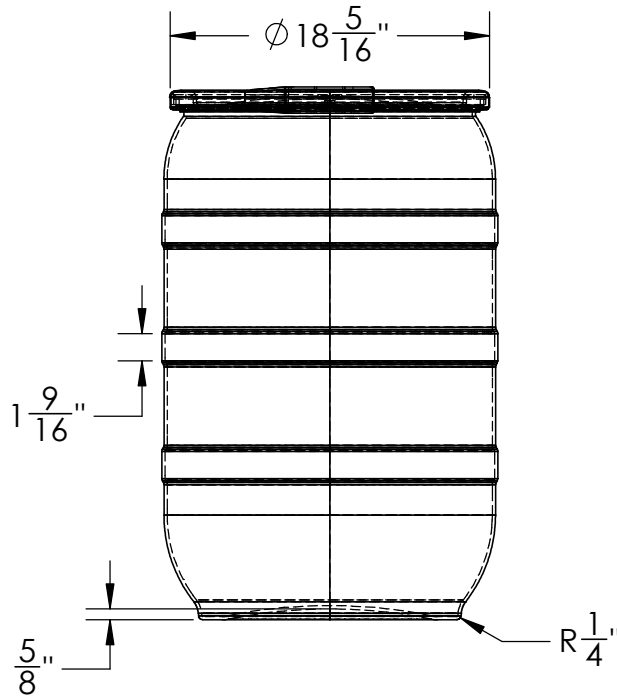
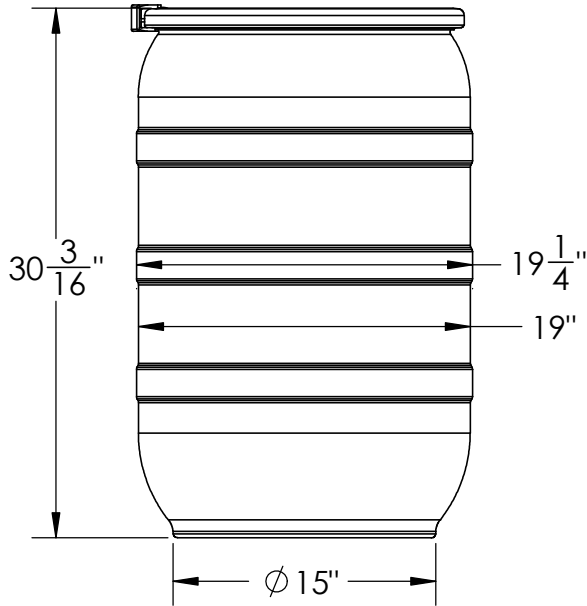
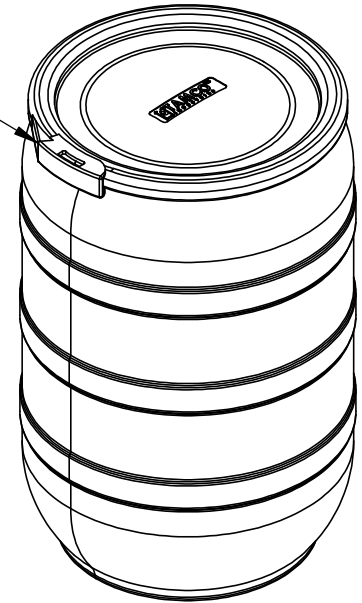


18.5" Plain Lid #180134

18.5" Lever Locking Ring #180136



30 Gallon Open Head Drum



1390 Neubrecht Road
Lima, Ohio 45801

STOCK NO. 5363, 5364, 5365,
5366, 5367, 5368

REV
A

DO NOT SCALE DRAWING

WEIGHT: 19.5 lbs.

DIMENSIONS ARE IN INCHES
TOLERANCE: ± 1/4"

MATERIAL
LLDPE - FDA resin

CAPACITY
30 Gallon

GRADUATIONS
N/A

NOMINAL WALL THICKNESS
3/16"

DRAWN	NAME	DATE
JMP	JMP	6/28/19

APPROVED

REVISIONS

COMMENTS:

Black, Blue, Red
Yellow, Natural, Green
UV Stabilized

PROPRIETARY AND CONFIDENTIAL

THE INFORMATION CONTAINED IN THIS DRAWING IS THE SOLE PROPERTY OF TAMCO. ANY REPRODUCTION IN PART OR AS A WHOLE WITHOUT THE WRITTEN PERMISSION OF TAMCO IS PROHIBITED.

MAX. OPERATING TEMP. 140°F
INTERMITTENT SERVICE TO 160°F
SEE CHEMICAL RESISTANCE
CHART FOR COMPATIBILITY