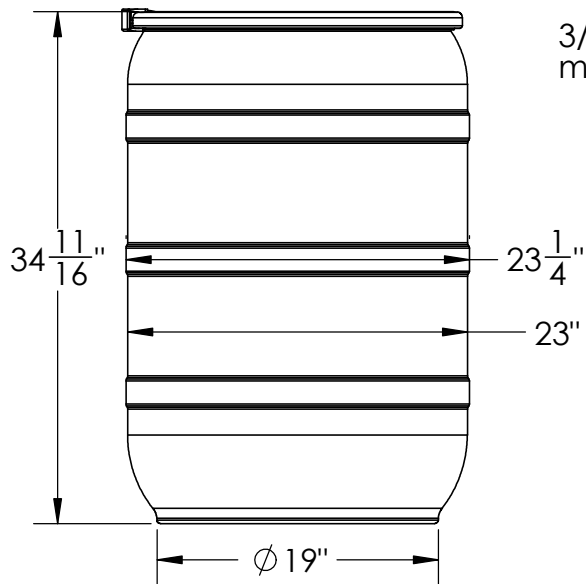
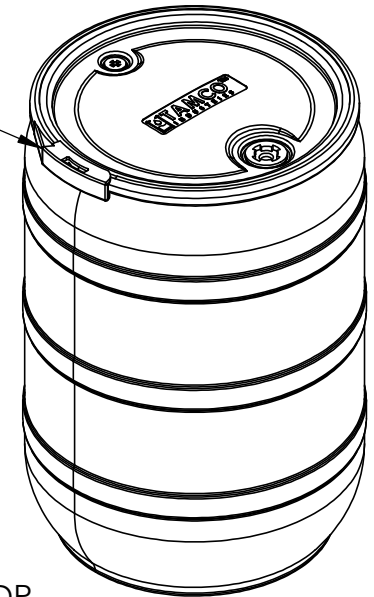
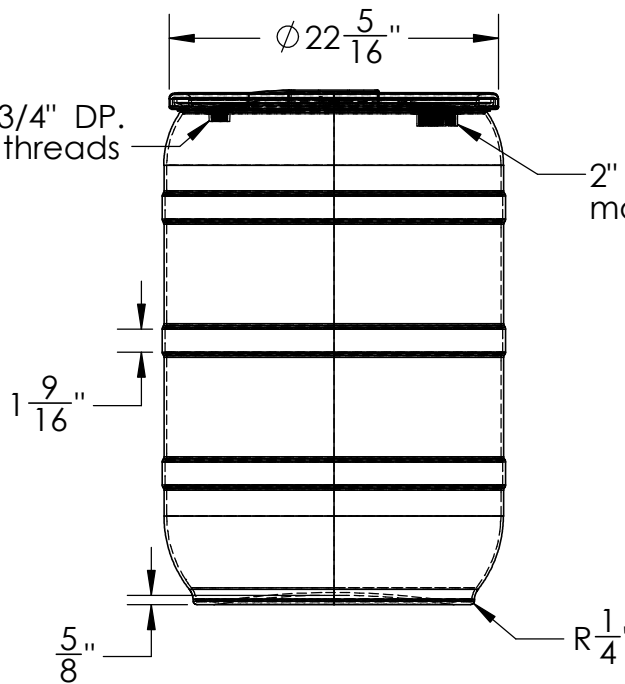


21.5" Lever Locking Ring #180135



3/4" NPS x 3/4" DP. molded in threads

2" NPS x 1" DP. molded in threads



55 Gallon Open Head Drum with Threaded Bungs



1390 Neubrecht Road
Lima, Ohio 45801

STOCK NO. 5375, 5376, 5377,
5378, 5379, 5380

REV
A

DO NOT SCALE DRAWING

WEIGHT: 25 lbs.

DIMENSIONS ARE IN INCHES TOLERANCE: \pm 1/4"		NAME	DATE
MATERIAL	LLDPE - FDA resin	DRAWN	JMP 7/1/19
CAPACITY	55 Gallon	APPROVED	
GRADUATIONS	N/A	REVISIONS	
NOMINAL WALL THICKNESS	3/16"	COMMENTS: Black, Blue, Red Yellow, Natural, Green UV Stabilized	

PROPRIETARY AND CONFIDENTIAL

THE INFORMATION CONTAINED IN THIS DRAWING IS THE SOLE PROPERTY OF TAMCO. ANY REPRODUCTION IN PART OR AS A WHOLE WITHOUT THE WRITTEN PERMISSION OF TAMCO IS PROHIBITED.

MAX. OPERATING TEMP. 140°F
INTERMITTENT SERVICE TO 160°F
SEE CHEMICAL RESISTANCE
CHART FOR COMPATIBILITY