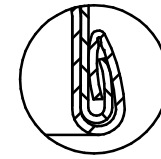
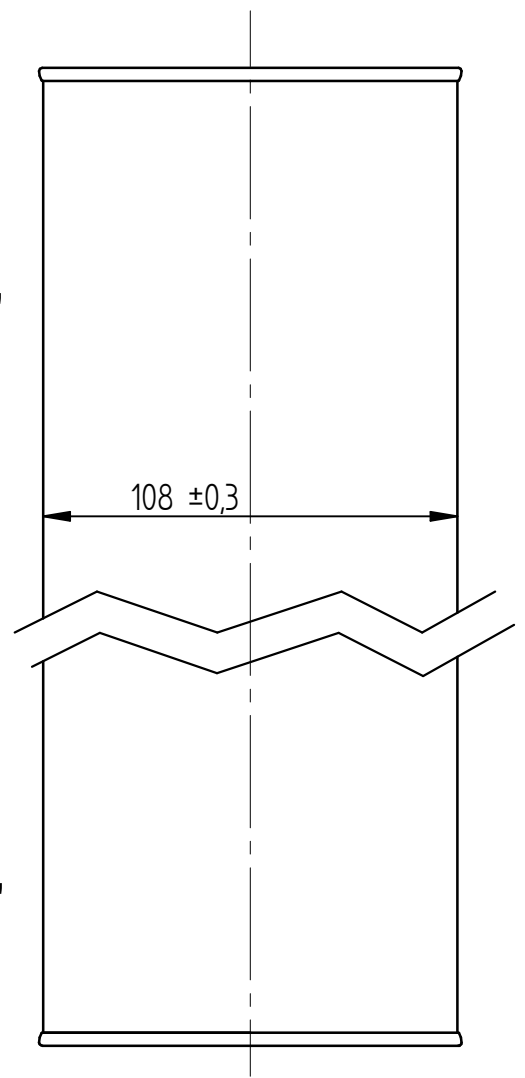
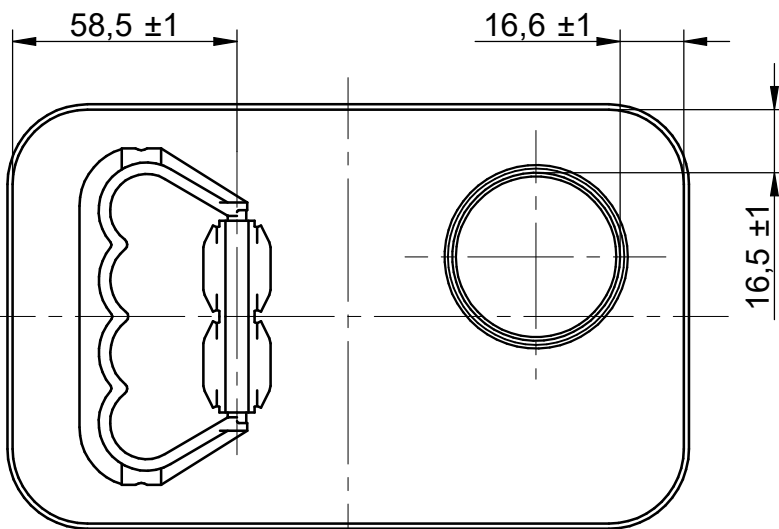


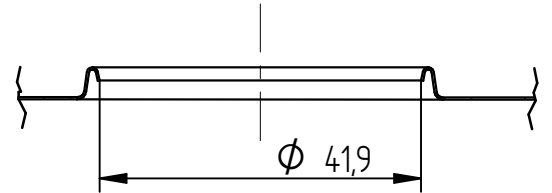
DETAIL "A"
Scale 4:1



DETAIL "B"
Scale 4:1



HOLE PROFILE REL Ø42
SCALE 1:1



Surface coating : /	Dimensions without tolerance : ISO 2768-fH	
Treatment : /	Edges without dimension : 0,5X45°	
Material : Tinplate	Scale: 1:2	N°sheet: 1/1
Weight : /	Hardness : /	Designer : S.S.
		Date: 29/03/2021

Title Drawing:
Rectangular can 175x108xH291
Hole 42 REL and plastic handle

Draw: 15R175T0006	Rev: 01
Item: /	A4