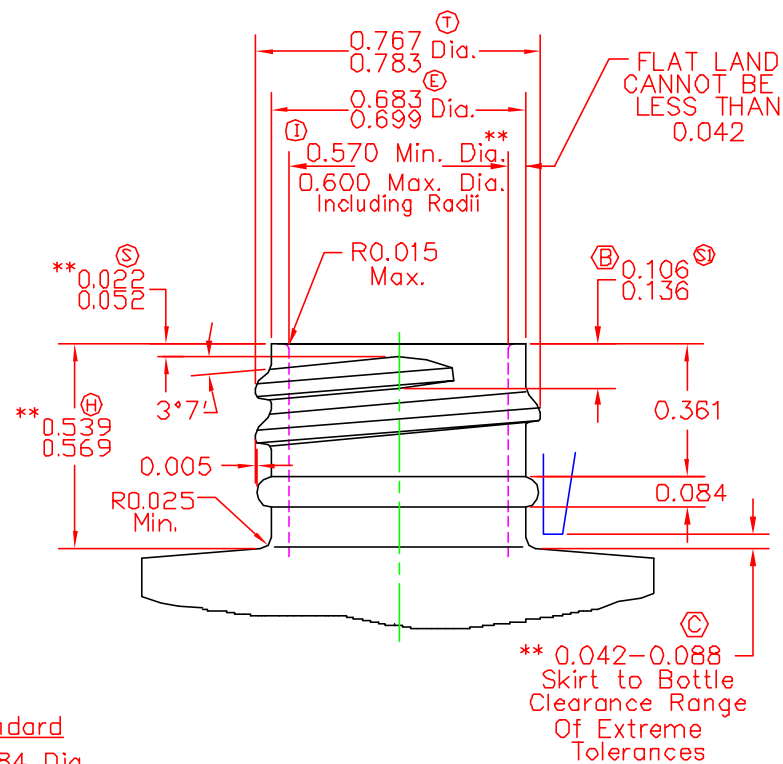
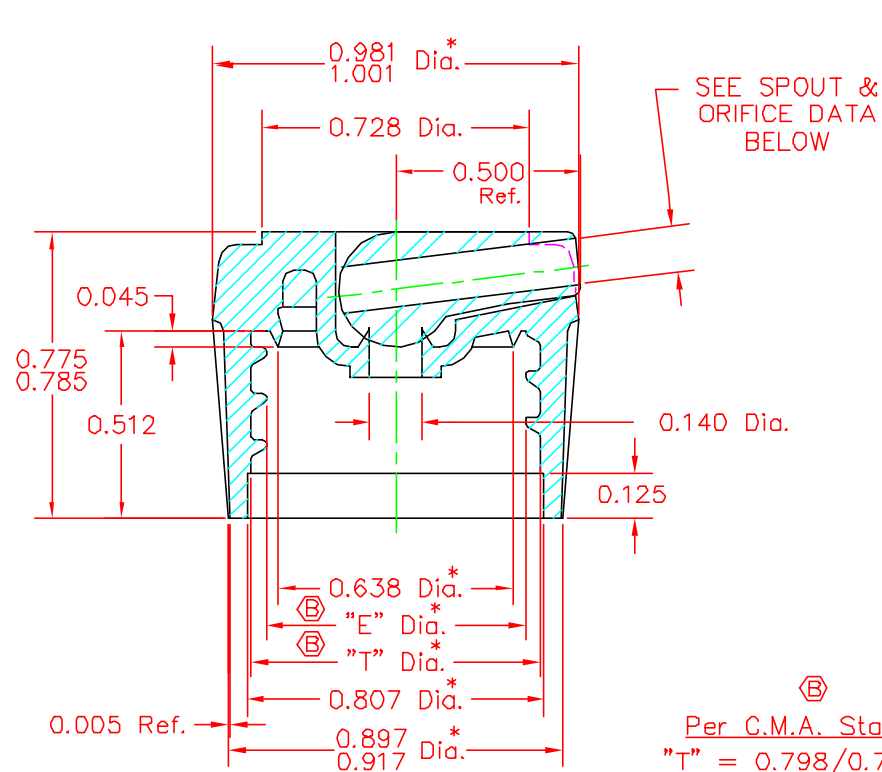


Part & Print No.	PS-115	Rev.:	C	Remarks:	Product Name and Description:	20mm/410/ "F" Dispensing Closure	Size: (mm)	20	Finish:	410	Style:	F	Seal†	2
------------------	--------	-------	---	----------	-------------------------------	----------------------------------	------------	----	---------	-----	--------	---	-------	---

CUSTOMER DRAWING



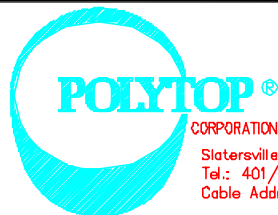
Ⓟ
Per C.M.A. Standard
"T" = 0.798/0.784 Dia.
"E" = 0.714/0.700 Dia.

† Seal Type No. 1: Valve Seal (The most efficient provided bottle has proper "I" dimension)
 † Seal Type No. 2: Land Seal ("I" dimension of bottle less critical than above)
 Dimensions marked * are an average of two measurements taken 90° apart.
 GENERAL TOLERANCE NOT SHOWN OTHERWISE: ± .008

BOTTLE NOTES:

- 1) Thread: 8 Pitch, Per S.P.I. Standard.
- 2) Diameters must be concentric within .015" T.I.R.
- 3) All Dimensions are in inches unless otherwise indicated.

Date	Sym.	Revision Record	Auth.	Dr.
7-23-74	A	CUSTOMER & PART NO. CHANGED FROM PS-15B TO PS-115	DL	REH
11-2-95	B	ADDED C.M.A. STANDARD, NEW DWG. FORMAT & BOTTLE S1	CWS	GG
5-5-00	C	Changed clearance range	P.J.B.	GG



Slatersville, R.I. 02876 (U.S.A.)
 Tel.: 401/767-2400
 Cable Address: POLYTOP

Designers and Mfg. of Dispensing Devices for the Packaging Industry

Product Name and Description:	20mm/410/ "F" Dispensing Closure	Size: (mm)	20	Finish:	410	Style:	F	Seal†	2
Spouts and Orifices Available: 1mm, 2mm, 2.5mm & 3mm Dia.									
Application Torque:	Shipping Info:	Carton Wt. (Lbs.)	Molding Material:	Dwn.By:					
10 Inch/lbs. Max.	Pcs./Carton:		L.D. Polyethylene	GG					
Remarks:	Date:	Part & Print No.	Rev.:						
	11-2-95	PS-115	C						